

JETSPA CARIBBEAN 4 SEATER

Instruction Manual

Model Reference: JS-CARIB401

INTRODUCTION

Congratulations on choosing to purchase the Jetspa Caribbean 4 Seater. This spa is perfect for enjoying the best of the British Weather.

CONTENTS

Introduction	01
Important Safety Information	02
Product Specification	06
Accessories	06
Product Overview	07
Before use and Set-up Preparation	08
RCD Testing	10
Spa Setup	10
Installing the Filter	13
Pre Fill Check	13
Fill	13
Directions for Use	14
Drainage	16
Storage	16
Maintenance	17
Water Maintenance	18
Puncture Repairs	19
Troubleshooting	20
After Sales Support	21
Product Guarantee	21
Optional Accessories	22

IMPORTANT SAFETY INFORMATION

READ AND FOLLOW ALL SAFETY INSTRUCTIONS:

Basic safety precautions should always be followed when installing and using this products electrical equipment.

WARNING: The spa has been supplied with a residual operating current not exceeding 30 mA. The RCD must be tested before each use.

WARNING: This appliance is not intended for use by persons (including children) with reduced physical, sensory or mental capability.

WARNING: TO AVOID ELECTRIC SHOCK, DO NOT USE THE SPA WHEN IT IS RAINING.

WARNING: Children should be supervised at all times around the appliance.

WARNING: If the supply cord is damaged, it must be replaced by the manufacturer, its service agent, or similarly qualified persons in order to avoid a hazard.

WARNING: To reduce the risk of electric shock, do not use an extension cord to connect unit to the electrical supply; use a properly located fixed outlet.

WARNING: Make sure the home fixed connection box is more than 3.5m away from the spa.

WARNING: RISK OF ELECTRIC SHOCK. DO NOT BURY CORD. Ensure the electrical cord is located away from lawn mowers, hedge trimmers and other garden equipment and tools.

WARNING: Electric installations should fulfil the requirements of local standards. Appliance live parts, except parts supplied with safety-low voltage not exceeding 12 V, must be inaccessible to a person in the spa.

WARNING: Parts incorporating electrical components, except remote control devices, must be placed a safe distance away or fixed in a position so they cannot fall into the spa.

WARNING: Do not switch on if there is any possibility that the water in the spa is frozen.

WARNING: Do not overfill the spa. Please ensure water does not exceed 20mm above the fill indication line located on the inner side of the pump.

DANGER: Risk of electric shock. Install at least 5 feet (1.5m) away from all metal surfaces.

DANGER: Risk of accidental drowning. Extreme caution must be exercised to prevent unauthorised access by children. To avoid accidents, ensure that children cannot use this spa unless they are supervised at all times.

DANGER: Never operate the spa if any fittings are broken or missing. Never replace any fitting.

CAUTION: Always consult your doctor before:

- The use of alcohol, drugs or medication, before or during spa use may lead to unconsciousness with the possibility of drowning.
- Obese persons and people with a history of heart disease, low or high blood pressure, circulatory system problems or diabetes, should consult a doctor before using the spa.
- Persons using medication should consult a doctor before using a spa since some medication may induce drowsiness, while other medication may affect heart rate, blood pressure and circulation.
- Pregnant or possible pregnant women should consult a doctor before using the spa.

CAUTION: Wet areas around the spa can be slippery; always enter and exit the spa slowly and cautiously.

CAUTION: In order to avoid a heater cut-out and loss of operation, this spa must NOT be supplied power through an external switching device, such as a timer, or connected to a circuit that is regularly switched on and off by the utility.

CAUTION: Do not use the spa immediately following strenuous exercise.

CAUTION: Maintain water chemistry in accordance with the manufacturer's instructions.

CAUTION: To avoid damage to outer lining of the spa, please ensure no sharp objects, furniture or any equipment that may pierce the spa is located nearby. Please allow a space of 1m around the spa.

CAUTION: To avoid damage to the pump, the spa must never be operated unless the spa is filled with water.

CAUTION: Immediately leave spa if the user feels uncomfortable or sleepy.

CAUTION: If cleaning the spa, always add chemicals to water, never add water to chemicals. Adding water to chemicals may cause strong fumes or violent reactions and hazardous chemical spray.

CAUTION: Do not leave or set up the spa in temperature lower than 4°C if heater is not operating.

CAUTION: To avoid damage to the pump, never turn on the spa unless it is filled with water to the water line and not exceeding 20mm above it.

CAUTION: Place the spa only on a properly prepared site that can withstand the floor loading requirement of the spa.

CAUTION: Do not leave the spa empty for an extended period of time.

CAUTION: Do not expose the spa to direct sunlight.

NOTE: Please examine equipment before use. Notify Giani at the customer service address listed on this manual for any damaged or missing parts at the time of purchase.

Verify that the equipment components represent the models that you had intended to purchase.

This product is not intended for commercial use.

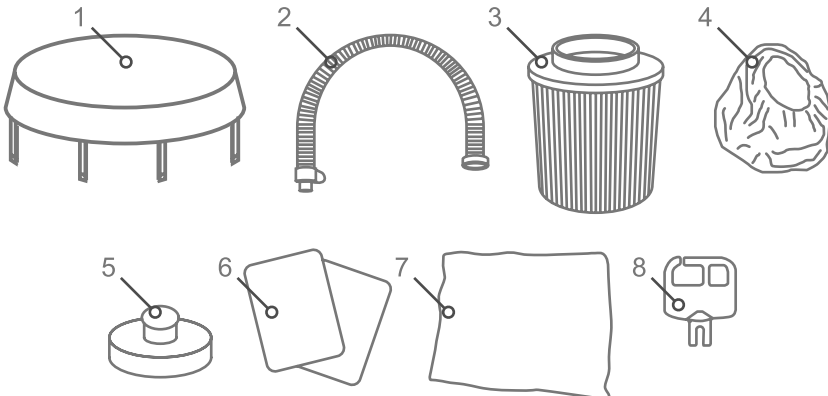
Drawings in this instruction manual are for illustration purposes only. This may not reflect the actual product. Not to scale.

PRODUCT SPECIFICATION

Model:	Caribbean 4 Seater
Number of People	4
Water Capacity	880L/221 Gallons
External Diameter	1.80M/71"
Internal Diameter	1.40M/55"
Height	0.65M/25.6"
Number of Air Jets	130 X ϕ 3mm
Power Rating	220-240V~, 50Hz
Heating Device	1200W/1.63HP
Bubble	600W/0.81HP
Cable Length	3.5M
Filter	12V CC, 50Hz 30W, 1880L/420 gallon/H
Top cover	Laminated PVC with aluminium foil
Carton Measurement	50 x 40 x 71CM
Gross Weight	26KG
Waterproofing	IPX5

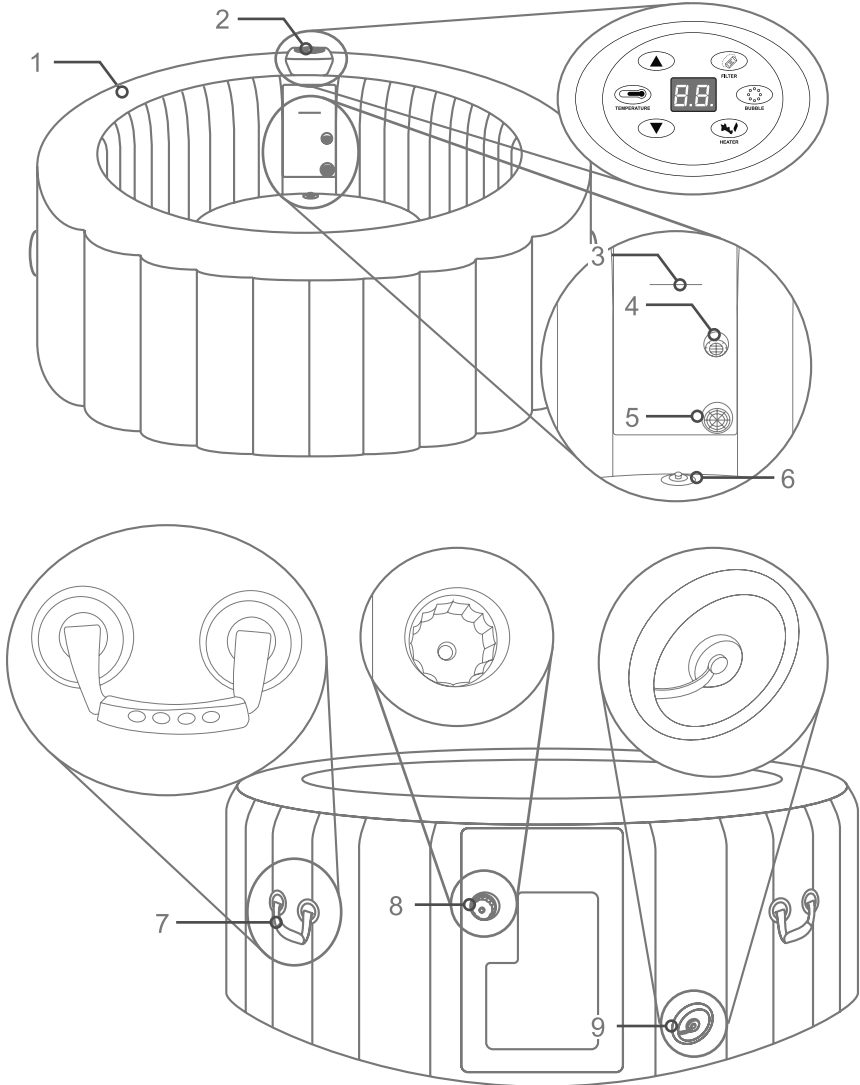
ACCESSORIES

1. Cover
2. Inflation Hose
3. Filter Cartridge
4. Filter Cover
5. Stopper
6. Repair Kit
7. Ground Sheet
8. Cover Latch Lock Key



PRODUCT OVERVIEW

- 1. Outer Lining
- 2. Control Dial
- 3. Maximum Fill Line
- 4. Heater
- 5. Filter
- 6. Stopper
- 7. Handle
- 8. Air Outlet
- 9. Air Inlet



BEFORE USE AND SET-UP PREPARATION

- The spa can be installed indoor and outdoor. Product intended for household use only.
- The spa must be set up on a flat, smooth and supporting surface that is capable of supporting the maximum load of the filled spa with listed maximum occupants (2 adults, 2 children).
- Make sure the area is free of sharp objects under or around the spa. This can damage the spa and void your warranty. Level the ground surface before filling the spa with water.
- Provide an adequate drainage system around the spa to deal with overflow water and splashes.
- Provide a properly located power outlet to connect the spa and allow easy access for period testing of the cord mounted RCD/GFCI.
- Make sure there is enough clearance around the spa for full access to the spa equipment for maintenance and/or service.

Additional requirements for indoor installation

- Verify the supporting floor can support the filled weight of spa with maximum number of occupants. Check with a qualified contractor or structural engineer to verify the requirement.
- Make sure the floor is water resistant and provides a non-slip surface. Do not install the spa on a carpet of any other material that could be damaged by the moisture.
- Humidity is a naturally side effect of indoor spa installation. The room should be properly ventilated to allow moisture to escape. Install a ventilation system to prevent excess condensation build up of moisture in the room.

Additional requirements for outdoor installation

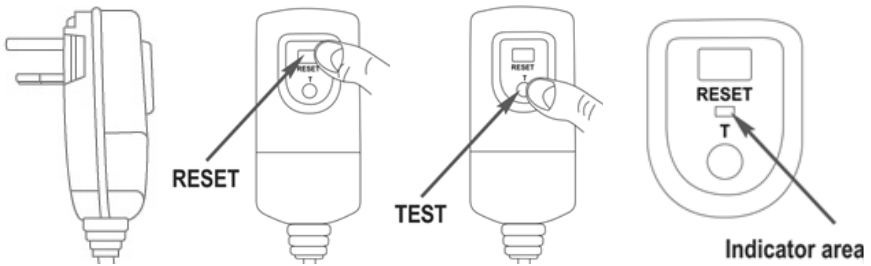
- Make sure the spa is set up on a firm, level and smooth surface that is strong enough to support the full weight of the filled spa and maximum occupants.
- Do not set up the spa on grass or dirt, as this increases the amount of debris entering the spa, and damage the spa floor. Do not leave the spa tub exposed to direct sun light for extended periods of time.
- Do not leave the spa outside in temperatures lower than 4°C (39°F) as this may cause the inside circulation system, pump and pipe to freeze.



Risk of electric shock: This product is provided with a RCD located at the end of the power cord. The RCD must be tested before each use. Do not use the spa if the RCD does not function properly. Disconnect the power cord until the fault has been identified and corrected. Contact a licensed electrician to correct the fault. There are no serviceable parts inside the RCD. Opening the RCD will void the warranty.

RCD TESTING

1. Plug into the mains.
2. Press the RESET button on the RCD.
3. Press the TEST button on the RCD. The RCD indicator should click the reset button back in place.
4. If the reset button isn't clicked back into place, then the RCD is faulty. This should be indicated by a red light in the indicator area.

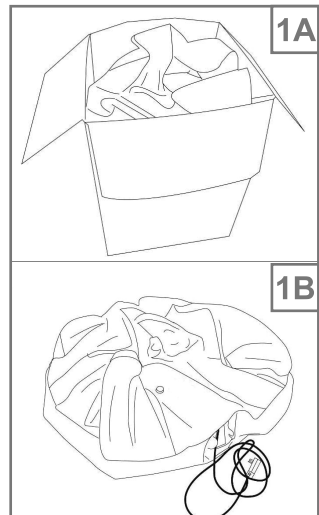


If the spa does not pass the RCD test, DO NOT USE!

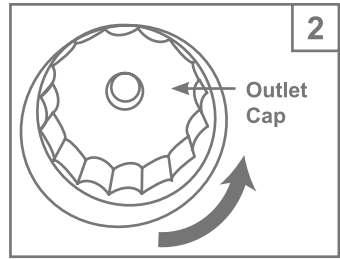
Please contact a qualified electrician to correct the fault.

SPA SET-UP

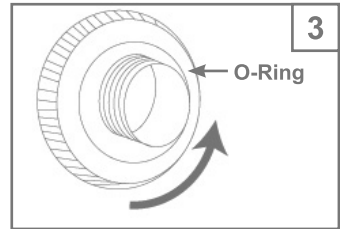
1. Move the entire package to the selected assembly site. Open the carton carefully ensuring you do not damage the packaging as it can be used to store the spa during long term storage or when not in use. Lay out all the parts on the ground and make sure all parts are accounted for (Fig 1A).
2. At this point fold out the ground sheet on the floor, ensuring no sharp objects are nearby.
3. Make sure the spa tube is correct side up (Fig 1B).



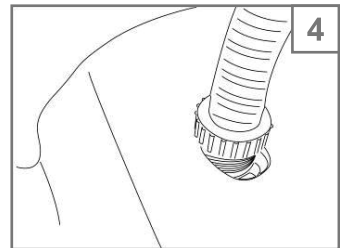
- 4. Open the air outlet cap (part 8 in product overview) by rotating anti-clockwise (Fig 2).



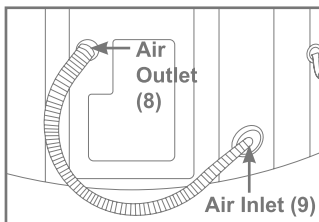
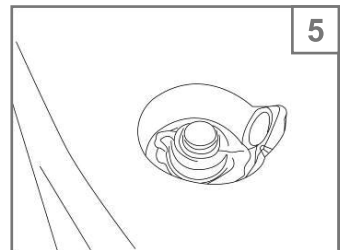
- 5. Please remove the O-ring by rotating anti-clockwise. Make sure you do not lose the O-ring (Fig 3).



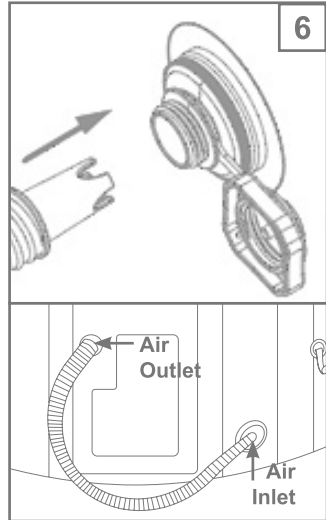
- 6. Screw the threaded side of the inflation/drainage hose onto the air outlet (Fig 4).



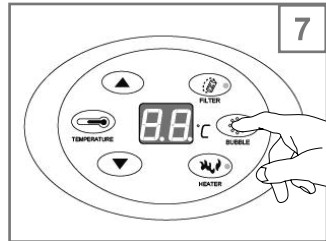
- 7. Open the air inlet cap located to the right of the air outlet and unscrew the cap anti-clockwise (Fig 5).



8. Connect the open end of the inflation hose into the valve providing this has already been attached to the air outlet (Fig 6).



9. Inflate the spa by pressing the “bubble” function found on the control dial (Fig 7).
10. When adequate inflation is reached. Press the “bubble” function again, this will turn off the inflation.
11. Disconnect the inflation hose from the air outlet. Replace the O-ring and cap back in place by following steps 4 & 5 in reverse order.



Note: Before use of the spa, always make sure that the inflatable chamber is properly inflated and that there are no folds. When the inflation is finished close the valve.

INSTALLING THE FILTER

1. Put the filter cover onto the filter itself, ensuring it is a tight fit.
2. Screw the filter onto the water inlet on the spa wall. Turn this clockwise. Please do not over-tighten.
3. Ensure that when using the spa, you do not sit on the filter as this may damage the pump.

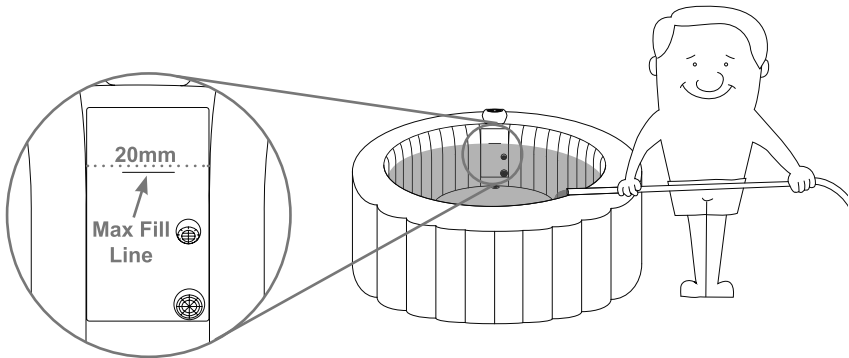
Note: The spa must always be used with a filter to prevent small parts entering inside the pump.

PRE-FILL CHECK

Ensure the drain outlet is extended for future draining/access. Check that the washer is in the cap, and then tighten (clockwise). Check the stopper on the bottom of the spa and the drain cap; ensure both of them are closed tight.

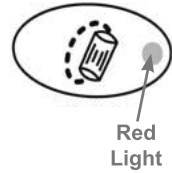
FILL

Using a garden hose, fill the spa to the water level indicator. Ensure you do not exceed the max fill indicator line by 20mm.



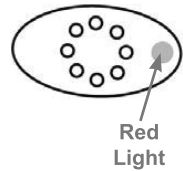
DIRECTIONS FOR USE

Filter Key: On-Off Key for the filtration function. Press this key and the filter pump will start working. This is indicated by the red light that will illuminate on the button. To turn off the filter function, please press the key again and the illuminated red light will turn off.



If the indicator light flashes and the LED screen states "F.C", this is an indication that the filter needs cleaning and/or replacing.

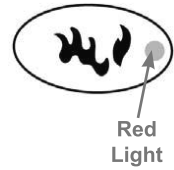
Bubble Key: On-Off button for the Jet bubble function. This button has a dual function.



FUNCTION 1: The Bubble Key is used to inflate the outer inflatable chamber when the inflation/drainage hose is connected to the air inlet. This is indicated by the illuminated red light.

FUNCTION 2: The Bubble Key can be pressed to activate the Jet bubble function when the spa is filled. This is indicated by the illuminated red light. This function will automatically stop after 20 minutes of use. If you wish to use the Jet bubble function, please wait 10 minutes until you can re-activate.

Heater Key: On-off key for the heating system. Press this key and the heating system will start working. This is indicated by the red light that will illuminate on the button. To turn off the Heating system, please press the key again and the illuminated red light will turn off.

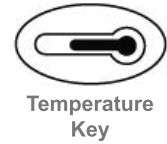


When the heater has started, the Filter Key red light will illuminate at the same time. This is normal and designed to ensure that water is always filtered.

When the set temperature has been achieved, the heating system will shut off however the red light will still illuminate. At this point, the Filter Key light will turn off.

If the set temperature falls 2°C below the pre-set temperature, the heater and filtration key will both start. At this point, both the Heater key light and the Filter Key will illuminate red.

Temperature key: Set key for setting temperature. Press this key and the numbers on the LCD will start flashing. At this point you can use the Temperature up and Temperature down keys to set the desired temperature. Once you have adjusted to the correct temperature, please press the Temperature key again to confirm.



Temperature Key

Note: The default temperature is 40°C. Temperature can be set between the ranges of 20°C - 40°C.



Temperature Up



Temperature Down

DRAINAGE

1. Make sure that you unplug the RCD from the power source.
2. Next unscrew the outer drainage cap by turning it anti-clockwise. This is located at the base of the pump.
3. Attach the Inflation/Drainage hose. It is advised that the Inflation/Drainage end be pointed towards a water drainage source.
4. At this point, pull gently on the stopper located on the inner base of the spa.
5. Allow water to drain adequately.
6. Once all visible water has drained from the spa, press the Bubble Key to drain all remaining water that may be retained within the air pipeline.
7. When drainage is finished, remove the inflation/Drainage hose from the outer drainage thread by rotating anti-clockwise.
8. Replace the outer drainage cap.

STORAGE

Use a towel and allow the spa to dry for 24 hours. Once adequately dry, remove the filter from its thread and allow to sit for 24 hours to dry completely.

Unscrew the air valve located on to the right of the pump, on the outer inflation chamber and allow to deflate naturally.

We recommend the use of a wet/dry vacuum to blow out or suck up water from the spa pipes and pump lines.

It is recommended that you store the spa in its original package in a warm dry place.

Note: Plastic becomes brittle and susceptible to breakage when exposed to sub-zero temperatures. Freezing can severely damage the spa. Improper winterisation housing for your spa may void your warranty.

MAINTENANCE

Filter Cleaning/replacement.

The filter cartridge should be cleaned weekly and replaced every two months. This time-frame is dependent on use and subject to change.

Warning: Risk of Electric shock. Unplug the spa before beginning any maintenance.

Note: a dirty filter cartridge may contaminate the spa water and cause damage to the heating function.

- Carefully unscrew the filter anti-clockwise from the thread.
- Rinse off the filter cartridge with water and re-use if possible. Please replace the filter if cartridge remains dirty after rinsing or is badly discoloured.
- Screw the cleaned or replaced filter onto the water inlet on the spa wall. Turn this clockwise. Please do not over-tighten.
- Ensure that when using the spa, you do not sit on the filter as this may damage the pump.

Note: The spa must always be used with a filter to prevent small parts entering inside the pump.

WATER MAINTENANCE

Water should be changed once per month or depending on use. You can purchase spa chemicals to use to clarify the water however please take note on dosage as to not damage the spa. Spa damage resulting from misuse of chemicals is not covered by the warranty.

Water Balance:

We recommend you maintain your water balance using the following guidance:

- PH Value: 7.2-7.6
- Chlorine value: 2ppm-3ppm

Water Sanitation:

We recommend using chlorine or bromine granules to disinfect the spa's water. Never add tablets freely to spa water; a floating dispenser is recommended.

Cleaning the Spa:

Clean the spa with soap and water, then rinse. Leave it outside (away from direct sunlight) to dry.

Maintenance Troubleshooting

PROBLEM	CAUSE	SOLUTION
Cloudy Water	High pH balance	Even out the pH balance
	Poor Filtration	Clean filter and re-install
	Dissolved solids	Empty spa and re-fill
Odour	High level of organic contaminants	Increase the amount of chlorine
Eye/Skin Irritation	Low pH balance and/or alkalinity	Add an alkalinity booster
	High level of organic contaminants	Increase the amount of Chlorine granules

PUNCTURE REPAIRS

Step 1. Identifying the source

Should your puncture be on the outside of the tub, or on the top of the tub, you may have a difficult time finding the source. The easiest way to discover the location of the puncture is to fill a spray bottle with a diluted soap and water solution. Spray the liquid at the tub, working slowly in sections. Look for locations where the soap and water solution bubbles.

If you see any sign of bubbles, try spraying more soap and water on until you can get a confirmation that you have found the location of the leak. You may also be able to hear the tell-tale hiss of a small puncture if you listen very closely at the location of the leak.

Once you have found the leak, mark it with a washable marker, or place a piece of tape over it to remind you of the location.

Step 2. Clean the Area

Make sure that there is no debris, tiny glass shards, bits of plastic, etc. still embedded in the lining of the spa. Gently rub the provided repair patch around the area, this should ensure that all debris is brushed away.

Be sure that the hole is clear of any dirt, and if you had to spray soap on the tub in order to find the leak, make sure you dry the area completely, so that any residue that would not affect the adhesive/glue (not included).

Step 3. Applying the repair patch

Once you have identified the location cut the repair patch into a square appropriately sized in relation of the puncture severity. Ensure the puncture area is dry. Use waterproof adhesive/glue (not included) and coat the textured side of the repair patch. Now attach the patch into place. Once attached, allow to dry for at least 30 minutes. During this time please refrain from using the spa.

TROUBLESHOOTING

Warning: Water protection levels of appliance at different product zones are different.

QUESTION	CAUSE	ANSWER
Bubble function does not operate.	Air pump is too hot.	Unplug the air pump. After the air pump has cooled, insert the plug, test and press the Bubble button to activate.
	Something is wrong with the RCD.	Call for service if it does not reset.
Heating system does not operate.	Temperature set too low.	Set to a higher temperature (20-40°C).
	Dirty filter cartridge.	Clean/replace the filter cartridge in time.
	Improper water levels.	Add water to specified levels.
	Heating element failed.	Call for service.
Filtering system does not operate.	Dirty filter cartridge.	Clean/replace the filter cartridge in time.
	Something is wrong with the RCD.	Call for service if it does not reset.
	Too low voltage or incorrect frequency at the power source.	Ask professional electrician to check whether the household input voltage or frequency is normal.
Spa leakage.	Spa is torn or punctured.	Use provided repair patch and follow the instructions provided.
Water not clean.	Insufficient filtering time.	Increase filtration time.
	Dirty filter cartridge.	Clean/replace the filter cartridge.
	Improper water maintenance.	Refer to the chemical manufacturer's instructions.
Display temperature is higher than 40 degrees, after stopping heating function.	The display temperature may be affected by the environment.	Replace the cover and the temperature will return to normal few minutes later.
	Inlet blocked.	Clean the inlet.

After Sales Support

If you need help using your product, please contact Giani Ltd:-

- Telephone: 0161 480 6204.
- Email: info@gianiuk.co.uk.
- Website: www.gianiuk.co.uk.
(Replacement instruction manuals are available to download from the website).

Product Guarantee (UK Only)

If your appliance ceases to function within 1 year from the date of purchase, the retailer will replace it free of charge, provided:

- You have not misused, neglected or damaged it. There is a fault with your products hardware and not the devices software.
- It has not been modified (except by Giani Ltd).
- It was not purchased second hand.
- It has not been used commercially.
- You can supply proof of purchase, indicating the price you paid and where and when the appliance was purchased.

This guarantee does not affect your statutory rights.

Disposal Information

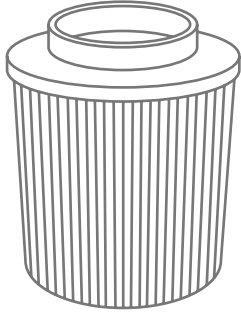
IMPORTANT INFORMATION FOR CORRECT DISPOSAL OF THE APPLIANCE IN ACCORDANCE WITH EC DIRECTIVE 2002/96/EC

At the end of its working life, the appliance must NOT be disposed of as urban waste. It must be taken to a special local authority differentiated waste collection centre or to a dealer providing this service.

Disposing of a household appliance separately avoids possible negative consequences for the environment and health deriving from inappropriate disposal and enables the constituent materials to be recovered to obtain significant savings in energy and resources. As a reminder of the need to dispose of household appliances separately, the product is marked with a crossed-out wheeled dustbin.

OPTIONAL ACCESSORIES

Replacement Filters x6



x6

Available to purchase from the retailer where you purchased your Spa. These are available in packs of 6.

Are you having problems with your device?

Has your device been damaged?

Before returning this item to your place of purchase please contact Gianni at:

Email - **info@gianiuk.co.uk**

Website - **www.gianiuk.co.uk**



Gianni Limited - SK2 6RH