

FLOORMASTER[®]

F17 19122017



RAPID MULTI-VAC

Instruction Manual

Model Reference: F17

Introduction

Thank you for choosing the Floormaster Rapid Multi-Vac. All products brought to you by Floormaster are manufactured to the highest standards of performance and safety.

Before use, please read this manual carefully. It gives important instructions about safety, use and maintenance of your vacuum.

Remove all packaging material. You may wish to keep the packaging for future use or storage of your vacuum. Alternatively, dispose of accordingly.

Index

Important Safety Information	02
Product Overview	04
Before First Use	05
Installation Instructions	05
Disassembly Instructions	06
Accessory Installation	07
Emptying the Dust Tank	08
Cleaning & Maintenance	09
Product Specification	12
Troubleshooting	12
Disposal Information	13

IMPORTANT SAFETY INFORMATION

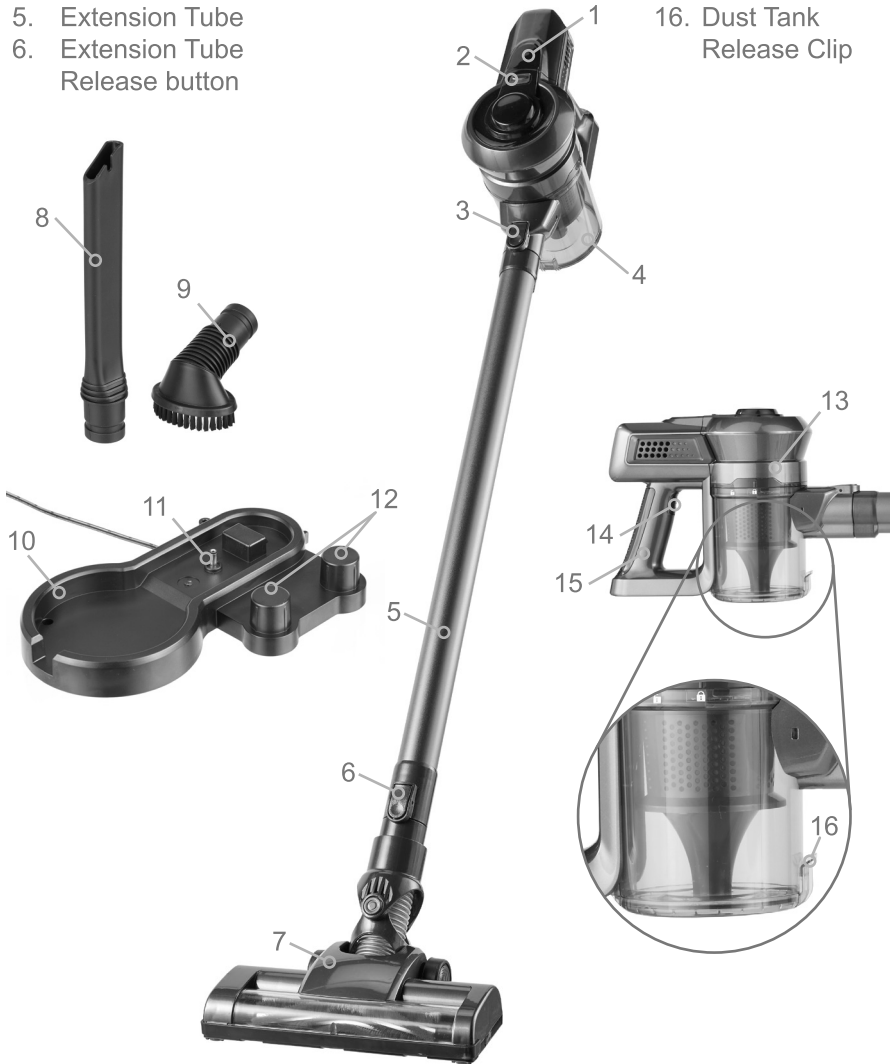
WARNING - To reduce the risk of fire, electric shock, or injury:

- DO NOT run the vacuum over the charger cable.
- DO NOT operate the vacuum if any part of it has been dropped or damaged.
- DO NOT disassemble or attempt to repair the vacuum cleaner.
- DO NOT vacuum any flammable or combustible liquids or use in areas where they may be present.
- DO NOT vacuum anything that is burning or smoking such as cigarettes, matches or hot ashes.
- DO NOT use the vacuum without the dust tank filter in place.
- DO NOT allow the vacuum to be used as a toy. Close attention is necessary when used near children, pets or plants.
- DO NOT unplug the charger by pulling on the cord.
- DO NOT handle the charger or the vacuum with wet hands.
- DO NOT put any objects into openings.
- DO NOT use with any opening that is obstructed or blocked.
- DO NOT use with mains extensions, external timer or remote control systems.
- DO NOT operate the vacuum cleaner too close to heaters or radiators.
- Keep free of dust, lint, hair and larger debris that may reduce air flow, into and around the dust tank.

- Keep hair, loose clothing, fingers and all parts of the body away from opening and moving parts.
- Use extra care when cleaning on stairs.
- Only use the vacuum for its intended use.
- Keep the charging cable away from any heated surfaces.
- Store your vacuum indoors, in a cool, dry area.
- Keep your work area well lit.
- Keep the end of the extension tube and the attachments away from your face and body when operating.
- Use only on dry surfaces.
- Using improper voltage may result in damage to the motor and possible injury to the user. Correct voltage is listed on the rating label located on the back of both the battery and upright extension.
- Keep the vacuum and its charger out of reach of children.
- To protect against a risk of electric shock, do not immerse any part of the vacuum in water or other liquids.
- This vacuum is intended for household use only. Follow all user instructions in this manual.
- Only use the manufacturer's recommended accessories as supplied.
- Before inserting the charger plug into the wall outlet, make sure that your hands are dry.
- Before you start vacuuming, make sure to remove large or sharp objects that might damage the dust tank filter.

PRODUCT OVERVIEW

- | | | |
|------------------------------------|-------------------------------|----------------------------|
| 1. 3 Stage Battery Level Indicator | 7. Motorised Brush Head | 11. Power Connector |
| 2. Dust Tank Release Button | 8. Crevice Tool Attachment | 12. Accessory Mounts |
| 3. Suction Nozzle Release Button | 9. Upholstery Tool Attachment | 13. Dust Tank Top |
| 4. Dust Tank | 10. Charging Dock | 14. Power Trigger |
| 5. Extension Tube | | 15. Battery/Handle |
| 6. Extension Tube Release button | | 16. Dust Tank Release Clip |



BEFORE FIRST USE

WARNING: Please keep the vacuum out of the charging dock during assembly and disassembly.

Before using your vacuum for the first time, wipe all parts with a soft damp cloth.

INSTALLATION INSTRUCTIONS

Assembly Instructions

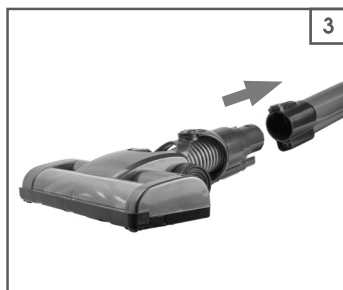
1. Slot the handle (15) into place on the dust tank (4) until it clicks securely into place (Fig 1).



2. Connect the extension tube (5) into the suction nozzle until it clicks securely into place (Fig 2).



3. Connect the motorised bush head (7) into the end of the extension tube (5)(Fig 3).



Note: This vacuum cleaner has a 2 speed motor. The first setting is for the low power mode, while pressing the trigger again will activate the high power mode. Pressing the button again will turn off the vacuum cleaner.

DISASSEMBLY INSTRUCTIONS

1. Press the release button (6) and take the motorised brush head (7) off the extension tube (5) (Fig 4).



2. Press the release button (3) and take the extension tube (5) off the suction nozzle (Fig 5).



3. Press the dust tank release button (2) and carefully separate the dust tank (4) from the handle (15)(Fig 6).



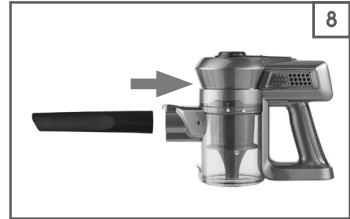
Note: Do not attempt to separate the dust tank (4) from the handle (15) without first ensuring the dust tank release button is pressed (2).

ACCESSORY INSTALLATION

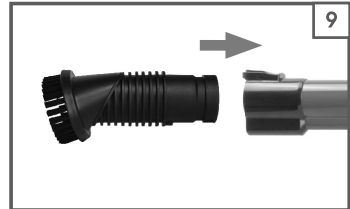
1. The upholstery tool (9) can be connected to the end of the suction nozzle directly (Fig 7).



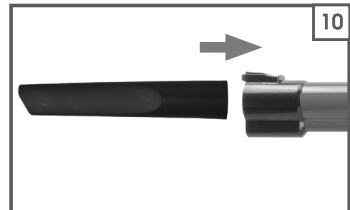
2. The crevice tool attachment (8) can be connected to the end of the suction nozzle directly (Fig 8).



3. The upholstery tool (9) can be connected to the end of the extension tube (5) directly (Fig 9).



4. The crevice tool attachment (8) can be connected to the end of the extension tube (5) directly (Fig 10).



EMPTYING THE DUST TANK

1. Place the vacuum over your waste bin.
2. Open the dust tank (4) by releasing the dust tank release clip (16) (Fig 11).
3. Gently shake the dust tank to empty all the waste (Fig 12).

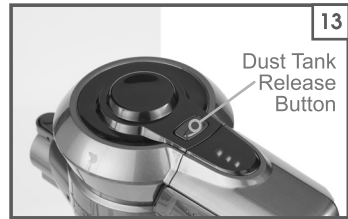



CLEANING & MAINTENANCE

Cleaning the Filters

This must be done at least once a month (for heavier vacuum usage, clean the filter regularly).

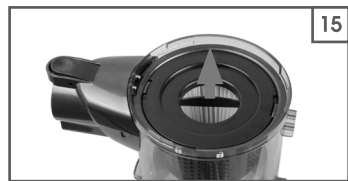
1. Press the dust tank release button (2) to remove the handle (15) from the dust tank (4) (Fig 13).



2. Rotate the top of the dust tank (13) anti-clockwise until the mark on the motor lines up with the “” symbol (Fig 14).



3. Remove the filter case, followed by the filter itself (Fig 15).



4. Remove the inner filter from the filter case, by rotating anti-clockwise (Fig 16).



5. Wash the filter and its case and rinse with water at least once per month (Fig 17).



Note: When clean, leave them to dry in a warm, well ventilated place. It is recommended to leave the filter for 24 hours to completely dry before reassembly.

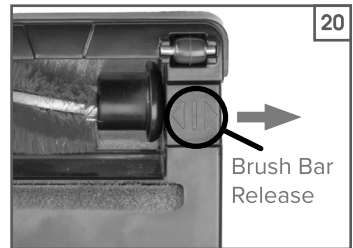
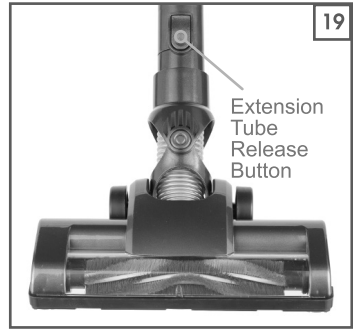
6. To re-assemble the dust tank (4) and the dust tank top (13) together, repeat steps 1 to 5 in reverse order. Ensure that both parts join together using the line and the “🔒” symbol to correctly line up (Fig 18).



Clearing a Blockage

IF THE MOTORISED BRUSH HEAD (7) BECOMES BLOCKED DURING USE, IT WILL STOP.

1. Before checking for a blockage, remove the motorised brush head (7) from the extension tube (5) via the extension tube release button (6) (Fig 19).
2. Lay the motorised brush head upside down on a flat surface to gain access to the brush head. Carefully pull any hair or fibre from the brush bar. The brush bar can also be removed for further cleaning by pushing the release button to the right and then carefully removing the brush bar (Fig 20).



Storing the Vacuum

1. Using the provided charging dock (10), securely screw onto a load bearing wall. Within 1.8M range of a power outlet.
2. Using the accessory mounts located on the side of the charging dock (12) provided on either side of the charging dock, push each of the attachments into place (Fig 21).
3. Ensure that the charging cable is as close to the load bearing wall as possible, as to avoid a potential trip hazard.



PRODUCT SPECIFICATION

MODEL:	RAPID MULTI-VAC
Battery	22.2V / 2200mA
Charging Time	4 Hours
Input Voltage	22.2V
Weight	2.3Kg
Run Time	45 mins
Power	100W
Noise	≤65Db
Recharging Cable	1.8M

TROUBLESHOOTING

QUESTION	ANSWER
The vacuum isn't cleaning well	Empty the dust tank
	Check that the dust tank is correctly fitted
	Check the filter is correctly fitted
	Clean the filter
The vacuum cleaner is cutting out or isn't working as intended	Change the battery
	Clear debris from the brush
The battery doesn't charge	Check the power connections
	Check the wall socket

After Sales Support

If you need help using your product, please contact Giani Ltd:-

- Telephone: 0161 480 6204.
- Email: info@gianiuk.co.uk.
- Website: www.gianiuk.co.uk.
(Replacement instruction manuals are available to download from the website).

Product Guarantee (UK Only)

If your appliance ceases to function within 1 year from the date of purchase, the retailer will replace it free of charge, provided:

- You have not misused, neglected or damaged it
- It has not been modified (except by Giani Ltd)
- It was not purchased second hand
- It has not been used commercially
- You have not fitted a plug incorrectly
- You can supply proof of purchase, indicating the price you paid and where and when the appliance was purchased.

This guarantee does not affect your statutory rights.

Disposal Information

IMPORTANT INFORMATION FOR CORRECT DISPOSAL OF THE APPLIANCE IN ACCORDANCE WITH EC DIRECTIVE 2002/96/EC

At the end of its working life, the appliance must NOT be disposed of as urban waste.

It must be taken to a special local authority differentiated waste collection centre or to a dealer providing this service.

Disposing of a household appliance separately avoids possible negative consequences for the environment and health deriving from inappropriate disposal and enables the constituent materials to be recovered to obtain significant savings in energy and resources. As a reminder of the need to dispose of household appliances separately, the product is marked with a crossed-out wheeled dustbin.

**Are you having problems with your vacuum?
Do you require a replacement filter?
Do you require spare parts?**

Before returning this item to your place of purchase
Please contact Giani at:

Email - **info@gianiuk.co.uk**

Website - **www.gianiuk.co.uk**

FLOORMASTERTM

Giani Limited - SK2 6RH
info@gianiuk.co.uk

