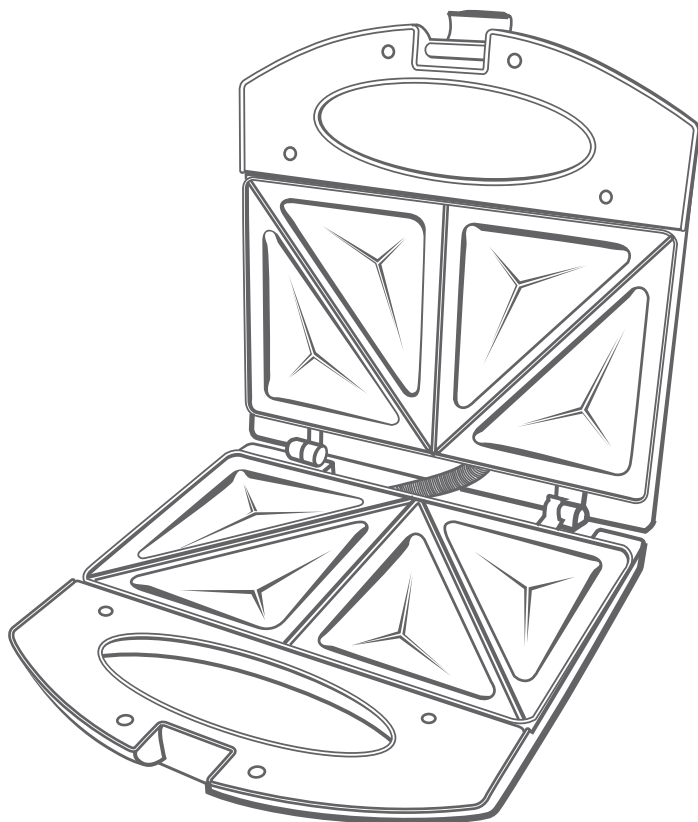


CUCINA
by *Giani*

IM-GCFS8013 03082016



2 Portion Sandwich Maker

Instruction Manual

Model Reference: GC-FS-8013

Introduction

Congratulations on choosing to buy a Giani Cucina product. All products brought to you by Giani are manufactured to the highest standards of performance and safety.

We hope you enjoy using your purchase for many years to come.

Before Use

Please ensure you follow these instructions:

- Clean the plates using a damp sponge, rinse and dry carefully.
- After applying a fine coating of oil to the plates, close the appliance and plug into a mains plug socket.
- When the product is new it may give off a 'new' smell and a smoke haze, allow the sandwich maker to heat up for several minutes to burn off the odour.

Safety Instructions

There is a risk of fire and electrical shock with all electrical appliances, which may cause injury or death so please follow the instructions carefully:

1. This appliance is for domestic use only. It should not be used for commercial purposes.
2. Only use this appliance for its intended domestic use. Giani Ltd will not accept any liability if the appliance is subject to improper use, or failure to comply with these instructions.
3. Do not use outdoors or on wet surfaces.
4. Do not handle the plug or appliance with wet hands.
5. Do not immerse the main body in water. Avoid any liquids entering the appliance as this will cause an electric shock or will short circuit the appliance.
6. Keep all ingredients within the cooking basket to prevent

any contact with internal heating elements. The appliance will malfunction if this occurs.

7. This appliance can be used by children aged from 8 years and above and persons with reduced physical, sensory or mental capabilities, or lack of experience and knowledge, if they have been given supervision or instruction concerning the use of the appliance in a safe way and understand the hazards involved.
8. Children should not play with the appliance.
9. Cleaning and user maintenance shall not be made by children unless they are older than 8 and supervised.
10. Keep the appliance and its cord out of reach of children less than 8 years.
11. This product is not a toy.
12. Do not use the appliance if any parts appear to be faulty, missing or damaged.
13. Do not use the appliance if it has been dropped or damaged in any way.
14. Do not leave the appliance unattended when connected to the mains supply.
15. Always unplug from the mains supply before carrying out any cleaning or performing user maintenance. The appliance needs a minimum of 30 minutes to cool down after use.
16. Check to ensure that your electricity supply matches that shown on the rating plate.
17. Only use the attachments/accessories supplied with the product or recommended by Giani.
18. If the supply cord is damaged, it must be replaced by a qualified service agent in order to avoid a hazard.
19. The pan and basket are not suitable for cleaning in a dishwasher.
20. Keep the appliance and its power supply cord away from heat or sharp edges that could cause damage.
21. Keep the power supply cord away from any parts of the appliance that may become hot during use.
22. Always use the appliance on a stable, heat resistant surface.

23. Do not place the appliance against a wall or directly next to another appliance. Leave at least 20cm of free space around the appliance when in use.
24. Do not cover the air inlet or the air outlet whilst the appliance is operating.
25. During use, hot steam is released through the air outlet openings. Keep your hands and face at a safe distance from the steam outlet openings.
26. Take extra care when removing the pan after cooking is complete. Hot air and steam will be released. Keep your face and hands at a safe distance.
27. The surface of the appliance may get hot during operation.
28. Do not move the appliance when it is in use.
29. Do not touch any parts of the appliance that may become hot as this could cause injury.
30. Do not cover the appliance.
31. Do not disconnect the appliance from the mains power supply by pulling the cord, switch it off and remove the plug by hand.
32. Do not store in direct sunlight or high humidity conditions.
33. Always unplug the appliance after use and before any cleaning or user maintenance.
34. Always ensure the appliance has cooled fully after use before performing any cleaning or user maintenance or storing away.
35. Do not use an extension cord, external timer or remote control system with this appliance.
36. This appliance should not be operated by means of an external timer or separate remote control system.
37. Keep the appliance away from flammable materials.
38. Never turn on the appliance if the frying pan is not properly inserted
39. After cooking has finished make sure the timer is set to 0



CAUTION: HOT SURFACE!

Directions For Use

- Plug the appliance into the mains, the RED indicator light will come on.
- Once the appliance has reached the optimum temperature (2-3 mins) the GREEN indicator light will also come on.
- Prepare your ingredients for making a toasted sandwich.
- Take 2 pieces of bread (per sandwich) and lightly butter 1 side of each slice,
- When the red indicator light goes out, place a slice of bread BUTTER SIDE DOWN on to the bottom heating plate, be careful not to touch the plate as it is very hot.
- Layer your chosen ingredients on top of the bread in the centre, usually anything with cheese works well, here are a few suggestions:

• Cheese & Tomato • Ham & Cheese • Mozzarella with sundried tomato and pesto • Smoked salmon and cream cheese • Cheddar cheese with tuna & sweetcorn • Baked beans with Red Leicester and mushrooms • Brie with bacon and cranberries.

- Do not cover the bread right to the edge with your ingredients, leave a space of approx 1cm around the edge to prevent the ingredients leaking out.
- Place the other slice of bread on top BUTTER SIDE UP (this prevents the bread sticking).
- Hold the upper half of the baking pan by the handle and slowly press down on the sandwich until it locks tightly with the bottom half of the baking pan.
- NOTE: If you have overfilled your sandwich you will not be able to close the appliance, NEVER force the appliance closed, remove some of the ingredients.
- Cook for 2-3 minutes and then check the sandwich, you can always cook for longer, the length of time will vary depending on the ingredients, type of bread, and personal taste.

- Use wooden or plastic utensils, such as a spatula, to remove the sandwich from the appliance. Never use metal utensils as this will damage the surface area of the appliance.
- If you want to cook more sandwiches, wait until the GREEN indicator light is ON.
- When you have finished cooking unplug the appliance from the mains and allow to cool.

Cleaning

- Only clean the appliance once it has fully cooled down.
- Never place the appliance in water or under running water.
- Clean the outside of the appliance with a damp cloth and dry thoroughly.
- To clean the plates use a damp sponge with washing up liquid. Rinse and dry with care.
- To remove burnt on food try soaking in a little vegetable oil to soften, DO NOT use a scouring pad or abrasive cleaner.

Storage

- Wind the cord carefully around the product and store in a dry area, the appliance can be stored vertically to save space.

Technical Specifications

- UK Guarantee - This appliance is guaranteed for consumer use for 12 months.
- This guarantee covers defects under normal use from date of purchase and ceases to be valid in the event of alteration or repair by unauthorised persons.

220~240V 50~60Hz 650W

After Sales Support

If you need help using your Vacuum Cleaner, please contact Giani Ltd:-

- Telephone: 0161 480 6204
- Email: info@gianiuk.co.uk
- Website: www.gianiuk.co.uk
(Replacement instruction manuals are available to download).

Product Guarantee (UK Only)

If your appliance ceases to function within 1 year from the date of purchase, the retailer will replace it free of charge, provided:

- You have not misused, neglected or damaged it
- It has not been modified (except by Giani Ltd)
- It was not purchased second hand
- It has not been used commercially
- You have not fitted a plug incorrectly
- You can supply proof of purchase, indicating the price you paid and where and when the appliance was purchased.

This guarantee does not affect your statutory rights.



IMPORTANT INFORMATION FOR CORRECT DISPOSAL OF THE APPLIANCE IN ACCORDANCE WITH EC DIRECTIVE 2002/96/EC

At the end of its working life, the appliance must NOT be disposed of as urban waste. It must be taken to a special local authority differentiated waste collection centre or to a dealer providing this service.

Disposing of a household appliance separately avoids possible negative consequences for the environment and health deriving from inappropriate disposal and enables the constituent materials to be recovered to obtain significant savings in energy and resources. As a reminder of the need to dispose of household appliances separately, the product is marked with a crossed-out wheeled dustbin.

**Are you having problems with your device?
Has something been damaged?
Do you require spare parts?**

Before returning this item to your place of purchase
Please contact Giani at:

Email - **info@gianiuk.co.uk**

Website - **www.gianiuk.co.uk**



CUCINA

Giani Limited - SK2 6RH
info@gianiuk.co.uk