

VPH12A 07042017



Hand Held Vacuum Cleaner

Instruction Manual

Model Ref: VPH12A

Thank you for choosing the ValetPro by Giani Hand Held Vacuum Cleaner. All products brought to you by Giani are manufactured to the highest standards of performance and safety.

Before use, please read this manual carefully. It gives important instructions about safety, use and maintenance of your appliance.

Remove all packaging material. You may wish to keep the packaging for future use or storage of your appliance. Alternatively, dispose of accordingly.

Index

Important Safety Information.....	02
Warning.....	05
Product Overview.....	06
Technical Information.....	06
Before First Use.....	07
Assembling Your Vacuum Cleaner.....	07
Using The Accessories.....	09
Emptying The Dust Tank.....	09
Cleaning The Filters.....	10
After Sales Support.....	12
Product Guarantee.....	12

Important Safety Information

WARNING - To reduce the risk of fire, electric shock, or injury:

- This vacuum cleaner is for domestic use only. It should not be used for commercial purposes.
- Do not use outdoors or on wet surfaces.
- Only use this appliance for its intended use. Giani Ltd will not accept liability if the appliance is subject to improper use or in the event of failure to comply with these instructions.
- Do not handle the plug or vacuum cleaner with wet hands.
- This appliance can be used by children aged from 8 years and above and persons with reduced physical, sensory or mental capabilities, or lack of experience and knowledge, if they have been given supervision or instruction concerning the use of the appliance in a safe way and understand the hazards involved.
- Children must not play with this appliance.
- Cleaning and user maintenance shall not be made by children unless they are older than 8 and supervised.
- Keep the appliance and its cord out of reach of children less than 8 years.
- This product is not a toy.
- Do not use the vacuum cleaner if any parts appear to be faulty, missing or damaged.
- Do not use the vacuum cleaner if it has been dropped or damaged in any way.
- Check to ensure that the electricity supply matches that

shown on the rating plate.

- If the supply cord is damaged, it must be replaced by a qualified service agent in order to avoid a hazard.
- Ensure all parts including the dust tank are securely attached before using or moving the vacuum cleaner.
- Do not leave the vacuum cleaner unattended when connected to the mains supply or in use.
- Always unplug from the mains supply before carrying out any cleaning, performing user maintenance or changing accessories.
- Switch off the vacuum cleaner by the power switch before removing the plug from the mains supply.
- Do not disconnect the appliance from the mains supply by pulling on the cord, switch it off and remove the plug by hand.
- Do not carry by the cable, use the cable as a handle, close a door on the cable or pull the cable around sharp edges or corners.
- Use of an extension cord with the appliance is not recommended.
- Keep hair, loose clothing, fingers and all parts of the body away from openings of the vacuum cleaner.
- Do not use with any of the openings blocked; keep free of dust, lint, hair and anything that may reduce airflow.
- Take extra care when vacuuming on the stairs.
- Do not use to pick up liquids.
- Do not use to pick up flammable or combustible materials.
- Do not use to pick up hot or burning objects such as cigarettes, matches or hot ashes.
- Do not use to pick up building materials such as plaster, cement, brick dust etc - this will damage the motor.
- Do not use the vacuum cleaner to pick up large, hard or sharp objects such as glass, nails, screws, coins etc - This will damage the vacuum cleaner.

- Only use the attachments/accessories supplied with the product or recommended by Giani.
- Do not use without the dust tank and filters in place.
- Ensure that the dust tank is emptied and the filters cleaned regularly to maintain the performance of the vacuum cleaner.
- Do not store in direct sunlight or high humidity conditions.
- Do not use with mains extensions, external timer or remote control systems
- We recommend that the vacuum is not switched on and run continuously for more than 30 minutes at any one time.
- Please note that during continuous operation, it is normal for the unit to feel warm during use. This is quite safe and the safety cut out device will automatically activate if the unit becomes too warm.

WARNING:

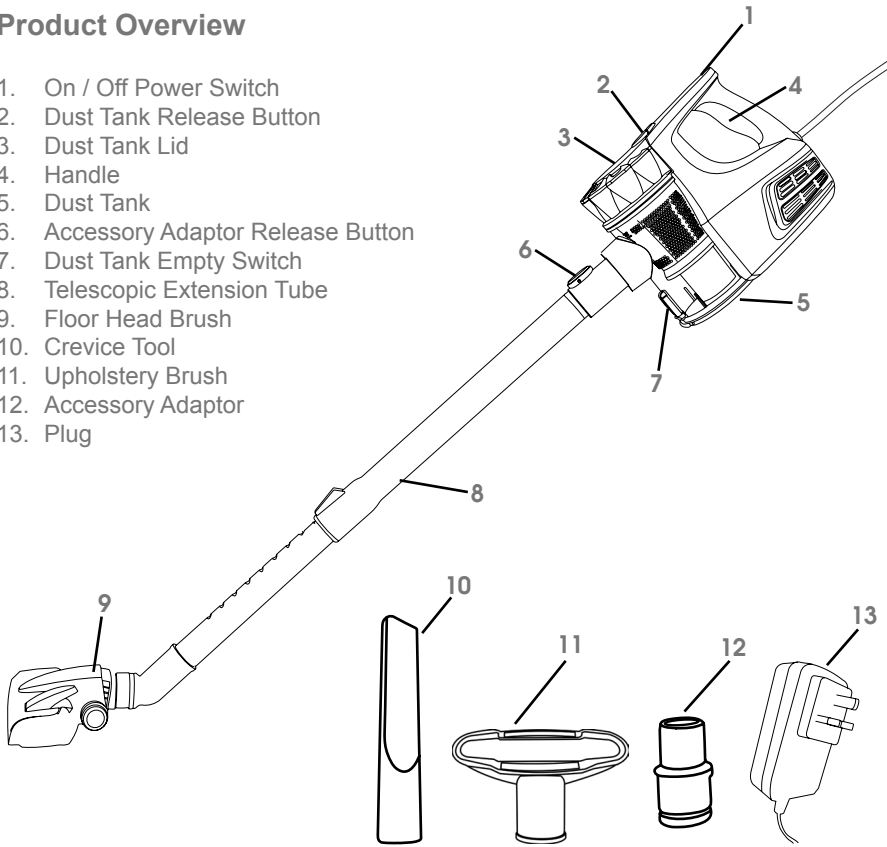
1. **Do not** operate the vacuum cleaner too close to heaters or radiators.
2. Before inserting the charger plug into the wall outlet, make sure that your hands are dry.
3. Before you start vacuuming, make sure to remove large or sharp objects that might damage the dust cup filter.
4. When pulling out the plug from the wall outlet, pull the plug not the power cord.
5. **Do not** use without dust cup filter in place



This product has a safety cut out device. If the motor overheats from the dust tank being full or the air inlet being blocked the vacuum cleaner will switch off. Switch off the vacuum cleaner, empty the dust tank and remove any blockages from the extension tube or filter. Allow the vacuum cleaner to cool down for a minimum of 30 minutes before using again.

Product Overview

1. On / Off Power Switch
2. Dust Tank Release Button
3. Dust Tank Lid
4. Handle
5. Dust Tank
6. Accessory Adaptor Release Button
7. Dust Tank Empty Switch
8. Telescopic Extension Tube
9. Floor Head Brush
10. Crevice Tool
11. Upholstery Brush
12. Accessory Adaptor
13. Plug



Technical Information

Voltage	220 - 240V
Rated Power	600W
Suction Power	80W
Vacuum	14Kpa
Air Flow	1.4m ³ /Min
Dust Tank Capacity	0.8L
Noise	72dB
Cable Length	6M

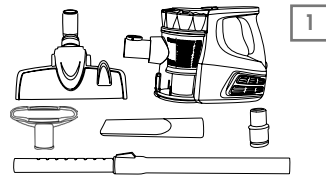
Before First Use

Before using your vacuum cleaner for the first time, wipe all parts with a soft damp cloth

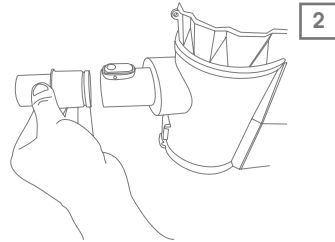
Assembling Your Vacuum Cleaner

DO NOT PLUG INTO THE MAINS ELECTRICITY SUPPLY UNTIL FULLY ASSEMBLED

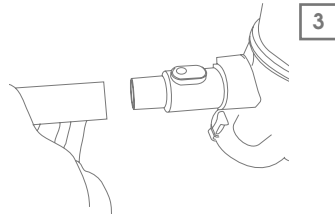
Your vacuum cleaner is disassembled when unpacked (Fig 1).



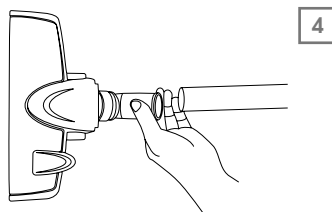
1. Connect the accessory adapter (12) into the air inlet (Fig 2).



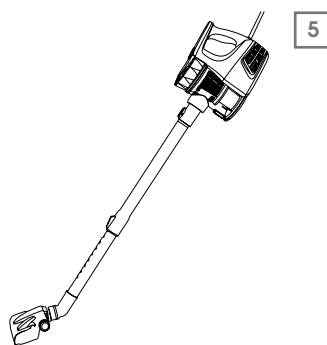
2. Connect the telescopic extension tube to the accessory adaptor (Fig 3).



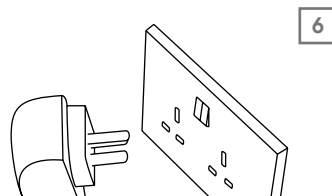
3. Connect the floor head brush to the other end of the telescopic extension tube. (Fig 4)



4. Your vacuum is now fully assembled (Fig 5).

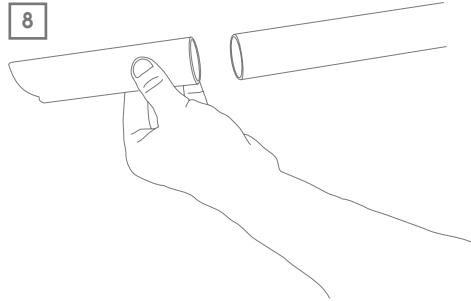
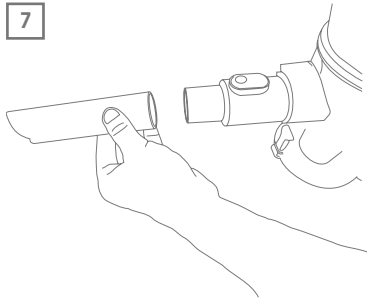


6. Plug into a socket and switch on the mains supply (Fig 6).



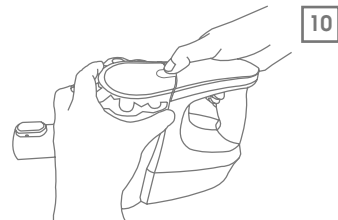
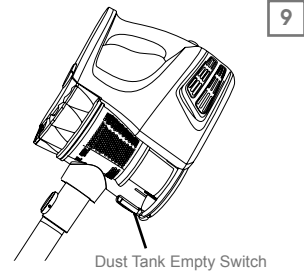
Using The Accessories

The crevice tool and upholstery brush can be connected directly to the accessory adaptor (Fig 7) or to the telescopic extension tube. (Fig 8) ALWAYS ensure when changing accessories the appliance is switched off



Emptying The Dust Tank

1. Hold the vacuum cleaner over the dustbin, press the dust tank empty switch. (Fig 9) The bottom of the dust tank will open, emptying the contents into the dustbin. Gently shake the vacuum to remove any remaining dust.
2. To close the dust tank, push the empty hatch up until it clicks and locks back into position.
3. Alternatively, you can remove the dust tank from the main vacuum cleaner body by holding both the main body and the dust tank and pressing the dust tank release button. (Fig 10)
4. The dust tank can easily be carried to the dustbin to be emptied.



5. Refit the dust tank to the main body by lining up the hook on the main body with the slot on the dust tank, slide the dust tank down, line up the locking catch on the dust tank lid with the slot at the top of the main body and push together until it clicks and locks back into position.

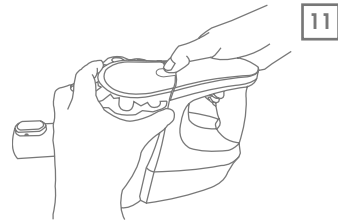
Cleaning The Filters

To maintain the performance of the vacuum cleaner, ensure the filters are regularly cleaned.

Never use the vacuum cleaner without the filters in place.

Always unplug the appliance from the mains supply before performing any cleaning or user maintenance.

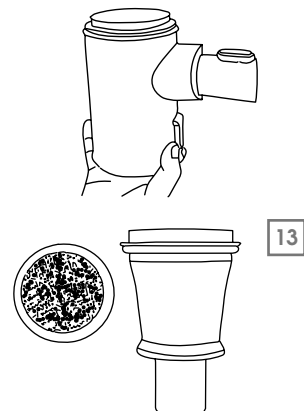
1. Remove the dust tank from the main body of the vacuum cleaner. (Fig 11)



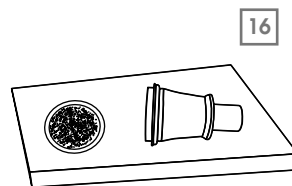
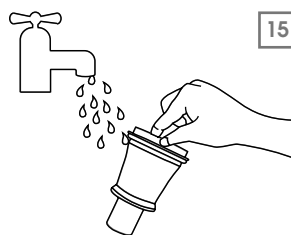
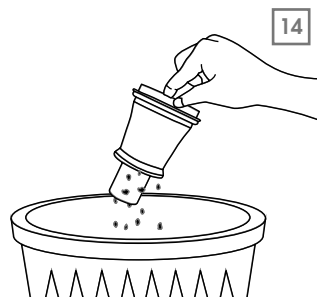
2. Remove the dust tank lid by twisting it anticlockwise and lifting it off. (Fig 12)



3. Lift out the HEPA filter and dust tank central filter. (Fig 13)



4. Remove dust, dirt and debris from the filters. This should be performed on a regular basis. (Fig 14)
5. All filters can be cleaned under a running tap with warm water. (Fig 15)
6. Once clean allow to dry for 24 hours before replacing in the vacuum cleaner. (Fig 16)
6. Do not use external heat sources to dry the filters as they will become damaged.
7. Never use the vacuum cleaner with wet filters.
8. To re-fit the filters reverse the procedure performed when removing the filters.



After Sales Support

If you need help using your Vacuum Cleaner, please contact Giani Ltd:-

- Telephone: 0161 480 6204
- Email: info@gianiuk.co.uk
- Website: www.gianiuk.co.uk
(Replacement instruction manuals are available to download).

Product Guarantee (UK Only)

If your appliance ceases to function within 1 year from the date of purchase, the retailer will replace it free of charge, provided:

- You have not misused, neglected or damaged it
- It has not been modified (except by Giani Ltd)
- It was not purchased second hand
- It has not been used commercially
- You have not fitted a plug incorrectly
- You can supply proof of purchase, indicating the price you paid and where and when the appliance was purchased.

This guarantee does not affect your statutory rights.



IMPORTANT INFORMATION FOR CORRECT DISPOSAL OF THE APPLIANCE IN ACCORDANCE WITH EC DIRECTIVE 2002/96/EC

At the end of its working life, the appliance must NOT be disposed of as urban waste. It must be taken to a special local authority differentiated waste collection centre or to a dealer providing this service.

Disposing of a household appliance separately avoids possible negative consequences for the environment and health deriving from inappropriate disposal and enables the constituent materials to be recovered to obtain significant savings in energy and resources. As a reminder of the need to dispose of household appliances separately, the product is marked with a crossed-out wheeled dustbin.

**Are you having problems with your cleaner?
Do you require a replacement filter?
Do you require spare parts?**

Before returning this item to your place of purchase
Please contact Giani at:

Email - **info@gianiuk.co.uk**

Website - **www.gianiuk.co.uk**



Giani Limited - SK2 6RH
info@gianiuk.co.uk