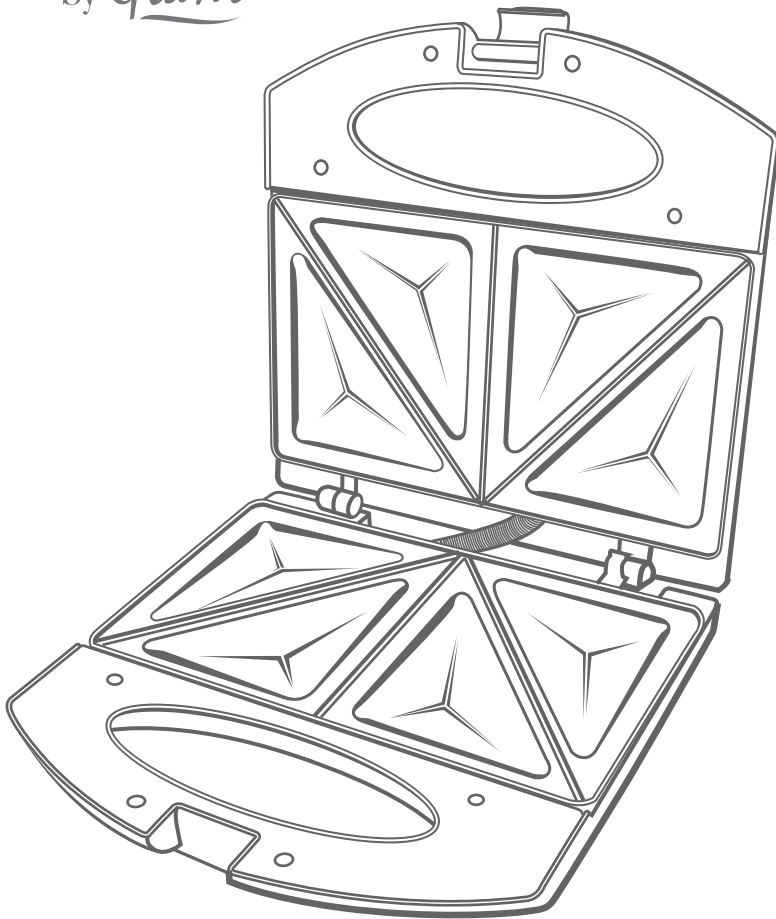


**CUCINA**  
by *Giani*

IM-GCS635140912



## 2 Portion Sandwich Maker

### Instruction Manual

Model Reference: GC-S-635

## Introduction

Congratulations on choosing to buy a Giani Cucina product. All products brought to you by Giani are manufactured to the highest standards of performance and safety.

We hope you enjoy using your purchase for many years to come.

## Before Use

Please ensure you follow these instructions:

- Clean the plates using a damp sponge, rinse and dry carefully.
- After applying a fine coating of oil to the plates, close the appliance and plug into a mains plug socket.
- When the product is new it may give off a 'new' smell and a smoke haze, allow the sandwich maker to heat up for several minutes to burn off the odour.

## Safety Instructions

There is a risk of fire and electrical shock with all electrical appliances, which may cause injury or death so please follow the instructions carefully:

- The appliance must ONLY be plugged directly into a household mains socket, never connect to an external switching device such as a timer or a variable circuit as this may lead to a hazardous thermal cut out of the appliance.
- The surfaces of this appliance get very hot, only touch the handles when in use.
- Place the appliance on a heat resistant surface or mat, DO NOT place the appliance on any heat sensitive surface whilst in operation.
- To prevent over heating ensure that there is enough space all around the appliance when in use.
- Beware of hot steam when you open the appliance.
- NEVER leave the appliance unattended when cooking, even if it is only for a moment.
- Keep the appliance away from curtains or other flammable material in case of fire.
- Do not use if the power cord is damaged.
- Combustible fuels must not be used with this appliance.
- Before use, please check the voltage of the product is compatible with your mains power.
- Keep away from children, this appliance must be used by a responsible adult. Make sure that the power cable is not within reach of children.
- The appliance is intended solely for private use and not for commercial use.
- Always unplug the appliance from the mains socket whenever it is not in use and when cleaning the appliance. Pull on the plug to remove it from the mains socket, NEVER pull on the power cord.
- Test the appliance and the cable regularly for damage, do NOT use if there is damage of any kind.
- DO NOT attempt to repair the appliance yourself, all electrical appliances must be repaired by a qualified electrical engineer.
- Keep the appliance away from heat, direct sunlight and moisture.
- DO NOT use the appliance outside.
- Under no circumstances immerse the appliance in water or any other liquid.
- DO NOT handle the appliance with wet or damp hands.
- Should the appliance become damp or wet, unplug from the mains socket immediately, DO NOT touch the appliance.

## Directions For Use

- Plug the appliance into the mains, the RED indicator light will come on.
- Once the appliance has reached the optimum temperature (2-3 mins) the GREEN indicator light will also come on.
- Prepare your ingredients for making a toasted sandwich.
- Take 2 pieces of bread (per sandwich) and lightly butter 1 side of each slice,
- When the red indicator light goes out, place a slice of bread BUTTER SIDE DOWN on to the bottom heating plate, be carefull not to touch the plate as it is very hot.
- Layer your chosen ingredients on top of the bread in the centre, usually anything with cheese works well, here are a few suggestions:

**• Cheese & Tomato • Ham & Cheese • Mozzarella with sundried tomato and pesto  
• Smoked salmon and cream cheese • Cheddar cheese with tuna & sweetcorn  
• Baked beans with Red Leicester and mushrooms • Brie with bacon and cranberries.**

- Do not cover the bread right to the edge with your ingredients, leave a space of approx 1cm around the edge to prevent the ingredients leaking out.
- Place the other slice of bread on top BUTTER SIDE UP (this prevents the bread sticking).
- Hold the upper half of the baking pan by the handle and slowly press down on the sandwich until it locks tightly with the bottom half of the baking pan.
- **NOTE:** If you have overfilled your sandwich you will not be able to close the appliance,
- NEVER force the appliance closed, remove some of the ingredients.
- Cook for 2-3 minutes and then check the sandwich, you can always cook for longer, the length of time will vary depending on the ingredients, type of bread, and personal taste.
- Use wooden or plastic utensils, such as a spatula, to remove the sandwich from the appliance. Never use metal utensils as this will damage the surface area of the appliance. If you want to cook more sandwiches, wait until the GREEN indicator light is ON.
- When you have finished cooking unplug the appliance from the mains and allow to cool.

## Cleaning

- Only clean the appliance once it has fully cooled down.
- Never place the appliance in water or under running water.
- Clean the outside of the appliance with a damp cloth and dry thoroughly.
- To clean the plates use a damp sponge with washing up liquid. Rinse and dry with care.
- To remove burnt on food try soaking in a little vegetable oil to soften, DO NOT use a scouring pad or abrasive cleaner.

## Storage

- Wind the cord carefully around the product and store in a dry area, the appliance can be stored vertically to save space.

## Technical Specifications

**UK Guarantee** - This appliance is guaranteed for consumer use for 12 months.

This guarantee covers defects under normal use from date of purchase and ceases to be valid in the event of alteration or repair by unauthorised persons.

220~240V 50~60Hz 650W

## Disposal



This marking indicates that this product should not be disposed of with other household wastes throughout the EU. To prevent possible harm to the environment or human health from uncontrolled waste disposal, recycle it responsibly to promote the sustainable reuse of material resources.

This appliance complies with the requirements of Directives 89/336 EEC (Electromagnetic Compatibility) and 73/23/EEC (Electrical Safety of Domestic Appliances) amended by Directive 93/68/EEC (CE Marking)



**CUCINA**  
by *Giani*

Giani Limited - SK2 6RH