



CD328BT 14052018



Super Bass Boombox

Instruction Manual
Model Ref: CD328BT

Introduction

Thank you for choosing this Super Bass Boombox. This product is manufactured to the highest standards of performance and safety.

Before use, please read this manual carefully. It gives important instructions about safety, use and maintenance of your device.

Remove all packaging material. You may wish to keep the packaging for future use or storage of your device. Alternatively, dispose of accordingly.



Important Safety Information

WARNING - T

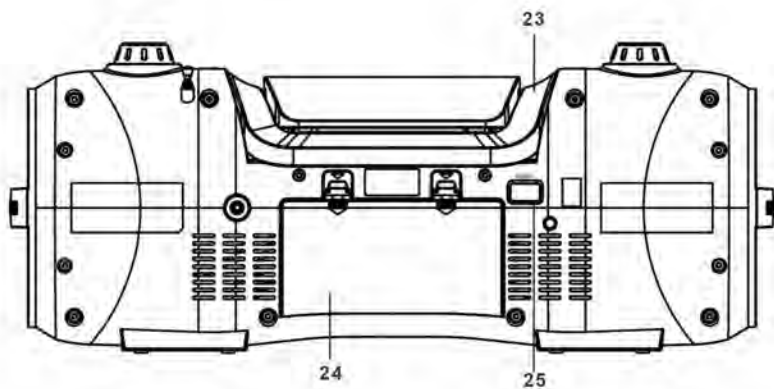
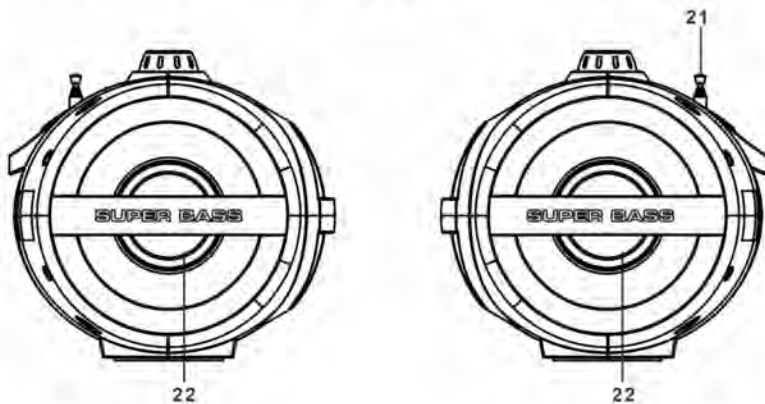
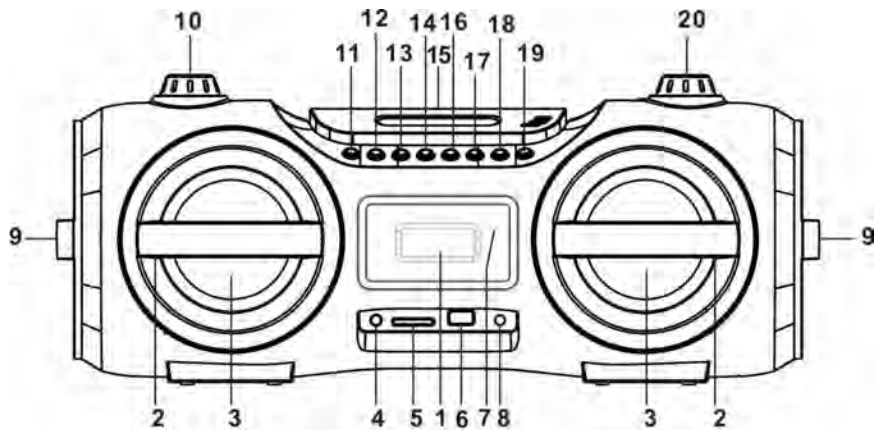
injury:

1. This appliance is for domestic use only. Do not use outdoors or on wet surfaces.
2. Do not handle the plug or appliance with wet hands.
3. Do not immerse the main body in water.
4. This appliance can be used by children aged from 8 years and above and persons with reduced physical, sensory or mental capabilities, or lack of experience and knowledge, if they have been given supervision or instruction concerning the use of the appliance in a safe way and understand the hazards involved.
5. Children must not play with the appliance.
6. Cleaning and user maintenance shall not be made by children unless they are older than 8 and supervised.
7. Keep the appliance and its cord out of reach of children less than 8 years old.
8. This product is not a toy.
9. Do not use the appliance if any parts appear to be faulty, missing or damaged.
10. Always switch off at the mains supply before carrying out any cleaning, performing user maintenance or changing accessories.
11. Do not use the appliance if it has been dropped or damaged in any way.
12. Check to ensure that the electricity supply matches that shown on the rating plate.
13. Only use the attachments/accessories supplied with the product or recommended by Audial.
14. If the supply cord is damaged, it must be replaced by a qualified service agent in order to avoid a hazard

15. Only use this appliance for its intended domestic use. Audial will not accept any liability if the appliance is subject to improper use, or failure to comply with these instructions.
16. Keep the appliance and its power supply cord away from heat or sharp edges that could cause damage.
17. Keep the power supply cord away from any parts of the appliance that may become hot during use.
18. Do not disconnect the appliance from the mains power supply by pulling the cord, switch it off and remove the plug by hand.
19. Do not move the appliance when it is in use.
20. Use of an extension cord with the appliance is not recommended.
21. This appliance should not be operated by means of an external timer or separate remote control system.
22. Keep the appliance away from flammable materials.

 <p>The lightning flash and arrow head within the triangle is a warning sign alerting you of dangerous voltage inside the product</p>	<p style="text-align: center;">CAUTION</p> <p style="text-align: center;">RISK OF ELECTRIC SHOCK DO NOT OPEN</p> <p style="text-align: center;">CAUTION: TO REDUCE THE RISK OF ELECTRIC SHOCK DO NOT REMOVE COVER (OR BACK). NO USER SERVICABLE PARTS INSIDE. REFER SERVICING TO QUALIFIED SERVICE PERSONNEL</p>	 <p>The lightning flash and arrow head within the triangle is a warning sign alerting you of dangerous voltage inside the product</p>
---	---	---

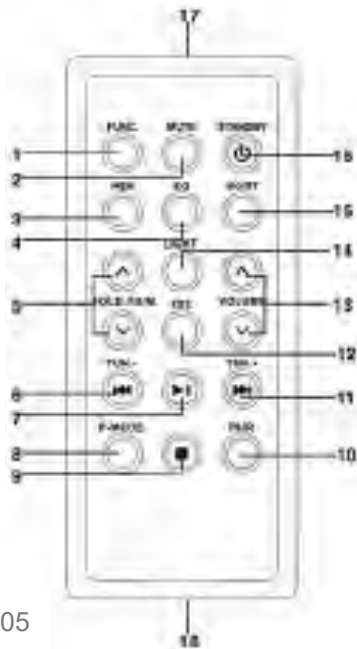
PRODUCT OVERVIEW



BOOMBOX CONTROLS

- | | |
|------------------------------------|-----------------------------------|
| 1. Display | 14. Back/fast backward/-10 button |
| 2. Speaker decoration ring | 15. CD door |
| 3. Left/right speakers | 16. Next/fast forward/+10 button |
| 4. Headphone jack | 17. Stop button |
| 5. SD Card slot | 18. Play/pair/pause button |
| 6. USB port | 19. Standby button |
| 7. Standby/Pair indicator | 20. Tuning dial |
| 8. AUX in Jack | 21. Antenna |
| 9. Passive speaker decoration ring | 22. Left/right passive speakers |
| 10. Volume dial | 23. Carry Handle |
| 11. Function button | 24. Battery door |
| 12. EQ/light button | 25. AC Socket |
| 13. Prog/P-mode button | |

REMOTE CONTROL CONTROLS

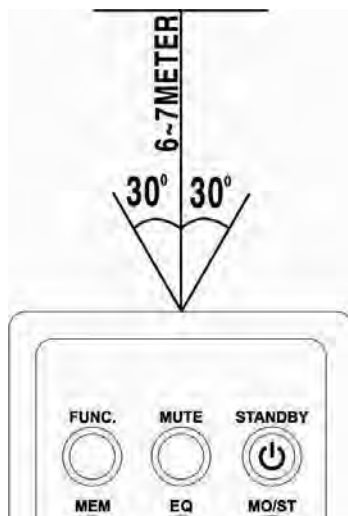


- | |
|--------------------------------|
| 1. Function button |
| 2. Mute button |
| 3. Memory button |
| 4. EQ button |
| 5. Fold/10/M. Up/Down button |
| 6. CD B-Skip down/Tun.- button |
| 7. CD play/pause button |
| 8. P-Mode button |
| 9. Stop Button |
| 10. Pair button |
| 11. CD f-skip/tun.+ button |
| 12. ID3 button (See Page 8) |
| 13. Vol. up/down button |
| 14. Light button |
| 15. Mono/Stereo Radio button |
| 16. Standby button |
| 17. Remote sensor |
| 18. Battery compartment |

REMOTE CONTROL OPERATION

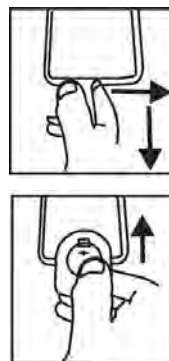
To operate the Boombox with the remote control, point the remote handset at the remote sensor on the front panel and press the appropriate button on the remote handset.

The remote works best within a range of 6 ~ 7 meters from the front panel and on an angle of 30 degrees. If the remote operation is unsatisfactory or stops working entirely replacing the remote batteries, then try reducing the room lighting conditions.



REPLACING THE BATTERY

- The remote control includes one CR2025(3V) lithium battery.
- To replace the battery, gently push the clasp to the right direction accordingly to the instructions shown on the remote and then pull out the battery compartment. Take the drained battery out and install a new lithium battery(CR-2025) in the compartment with the positive polarity facing upwards. Then push the compartment back to its position and a “click” sound will



POWER SOURCE

This Boombox is designed to be operated on AC/DC.

AC OPERATION

Plug the smaller end of the supplied AC power cord into AC socket on Boombox and the plug into a mains power socket. The batteries will be automatically disconnected. This Boombox is designed in Switched-Mode Power Source with voltage range from 100V to 240V.

DC OPERATION

Open the BATTERY COMPARTMENT DOOR. Install 8pcs UM-1/D size batteries (not included) into compartment. Please follow correct polarities as indicated.

NOTE: when using battery, take off the AC cable from the Boombox.

CAUTION:

period of time. Batteries contain chemical substances, so they should be disposed of in the correct manner.

USING THE BOOMBOX

SWITCHING ON THE Boombox

After connecting the power, press the STANDBY button on the Boombox or on the remote control to turn on the Boombox. Press the FUNC. button on Boombox or on the remote control to choose TUNER / CD / USB / AUX /SD CARD or BLUETOOTH function.

NOTE: In CD/MP3/USB/SD/AUX/BT mode when the Boombox is not providing the main function for 15 minutes, the Boombox will automatically switch into standby mode. To turn on the Boombox again, press “STANDBY” button or replug the Boombox.

VOLUME ADJUSTING

Rotate the VOLUME button on Boombox or on the remote control to increase or decrease volume.

EQ FUNCTION

This Boombox has a built-in equalizer system, Press EQ/LIGHT button on Boombox or EQ key on the remote control

FLAT, CLASSIC, ROCK, POP and JAZZ.

HEADPHONE JACK

For private listening, insert a 3.5mm headphone (not included) into the HEADPHONE jack (4). The SPEAKER

CAUTION: LISTENING AT A HIGH VOLUME OVER A LONG PERIOD IS NOT GOOD FOR YOUR EARS AND MAY CAUSE DAMAGE TO YOUR HEARING.

ID3 FUNCTION

Use the ID3 button on the remote control to identify track and artist name (MP3 CD/USB function only)

Mono/Stereo

Use the Mo/St button to switch between mono & stereo sound (radio only)

DISCO LIGHT

There are eight colours on the disco light, press and hold the EQ/LIGHT button on the Boombox or press the Light Key on the remote control to choose the desired colour (Colour will be static).

T

button on the Boombox or press the LIGHT KEY on the remote control until “LIGHT OFF” shows on the display.

Note: To enable all the colours to flash consecutively take the colours up to colour 8 setting.

RADIO OPERATION

TUNING RADIO STATIONS

1. Press the FUNC. button on Boombox or on the remote control to select the TUNER FUNCTION, this Boombox is designed for FM ONLY.
2. Tune to desired station by rotating the TUNING dial on Boombox or by pressing TUN+ / Fast Forward, TUN- / Fast Backwards key on the remote control, the display will show the band frequency. Example: **FM 97.10 MHz**. If the radio is receiving Stereo signal, “STEREO” will show on the display.
3. Extend FM TELESCOPIC ANTENNA to its full length and gently move the Boombox back and forth to get the best reception, or place the Boombox in an open location.
4. T
or on the remote control to switch to other functions or press STANDBY button on Boombox or on the remote

RADIO AUTO SCAN (SEARCH)

Press the ►|| / PAIR button on Boombox or ►|| key on the remote control, the Boombox will conduct auto scan and program until having found a strong signal. The Boombox will

Press the Fast Forward / +10 button on Boombox or FOLD. / 10/M UP/DOWN key on the remote control to choose next programmed station.

RADIO STATION MEMORY OPERATION

You may pre-store 30 (FM) radio stations in memory for your preference, so you can listen to your desired station directly and quickly, no need to tune and search for it again.

1. Rotate the TUNING dial on the Boombox or press TUN- / Fast Backwards or TUN+ / Fast Forwards on the remote
2. Press PROG./P-MODE button on Boombox or MEMORY KEY on the remote control, then press the Fast Forwards / +10 button or Fast Backwards / -10 on Boombox or M. UP/DOWN key on the remote control to choose the desired sequence you want to store, then press the PROG./P-MODE button on Boombox or press MEMORY key on the remote control again to enter.
3. Search another station, repeat steps (1) & (2) until all desired stations stored. Up to 30 stations can be programmed.
4. Press the Fast Backwards / -10 or Fast Forwards / +10 or FOLD./10/M UP/DOWN button on the remote to listen to the stored station directly.

CD/MP3 OPERATION

Discs for Playback

audio CD-Rewritable (CD-RW) discs and CD-DA format digital audio CD/CD-R/CD-RW discs.

LOADING A DISC

1. Press the FUNCTION button on Boombox or on the remote control to select “CD” mode.
2. Press the PUSH TO OPEN button to open the CD door, “OPEN” will be shown on the display.
3. Place an audio CD/MP3 DISC into the tray with the front side facing up.
4. Close the CD door.
“READING”, then the total number of tracks would be shown and the playback will start from track 1.
5. To remove the CD, press the STOP button on Boombox

press the PUSH TO OPEN button to open the CD compartment lid. Hold the CD by its edges, and take it out carefully.

Note:

1. *Make sure the disc is stopped before opening the CD DOOR.*
2. *To ensure good system performance; wait until the Boombox completely reads the disc before proceeding.*
3. *If no disc loaded into the tray, or the disc is unreadable, the display will show “NO DISC”.*

PLAYING A DISC

1. The playback starts from track 1 automatically after reading the disc. To pause playback, press ►|| / PAIR button on Boombox or ►|| key on the remote control. The . To resume playback, press ►|| / PAIR button on Boombox or ►|| key on the remote control again.
2. To stop playback, press the STOP button on Boombox or on the remote control, the total number of tracks will show on the display.

SELECTING A DESIRED TRACK/PASSAGE

To select a desired track

Press the Fast Forwards / +10 or Fast Backwards / -10 button on Boombox or “TUN+ / Fast Forwards” or “TUN- / Fast Backwards” key on the remote control on stop mode or during playing until the desired track appears on the display. It will start play automatically.

To search for a particular passage during playback (track scanning at high speed)

Press and hold the Fast Forwards / +10 or Fast Backwards / -10 button on Boombox or TUN+ / Fast Forwards or TUN- / Fast Backwards key on the remote control to scan the current playing track at high speed until desired point (passage) appears, then release the button for normal playback mode. Playback will start again from this point.

To select a song which track number exceeds 10 (for MP3 disc only)

To select a song/track which number exceeds 10, press and hold the Fast Forwards / +10 button on Boombox in stop mode or press FOLD./10/M UP button on the remote control during playback each time to skip forward 10 tracks in stop mode, then press the Fast Forwards / +10 button on Boombox or TUN+ / Fas Forwards key on the remote control to select desired track.

To select a desired folder (for MP3 disc that contains more than one folder)

To select a desired folder during playback, press and hold the FOLD./10/M UP/DOWN button on the remote control to next/previous folder.

PROGRAMMING TRACKS

Programming tracks of disc are possible when playback is stopped. Up to 20 tracks for CD disc and 99 tracks for MP3 disc can be stored in the memory in any order.

1. In stop mode, press the PROG./P-MODE button on Boombox or P-MODE key on the remote to enter program P01.
2. Press the Fast Forwards / +10 button on Boombox or TUN+ / Fast Forwards on the remote control to select the
3. Press the PROG./P-MODE button on Boombox or P-MODE key on the remote to enter. The display would
4. Repeat steps 2 & 3 to store other desired tracks until all tracks programmed.
5. Press the ►|| / PAIR button on Boombox or ►|| key on programmed track.

6. Press the STOP button on Boombox or on the remote control to stop program playback. To clear the program, you may press STOP button on Boombox or on the remote control when the disc stopped and open the CD compartment lid, the program will be erased.

REPEAT PLAY

You can play one track or all tracks on the disc repeatedly.

To Repeat a Single Track

1. Press PROG./P-MODE button on Boombox or press P-MODE key on the remote control during play, the display will show a steady "↶" and the current track will be played over and over again till you press the STOP button on Boombox or on the remote control.
2. To cancel repeat play, press PROG./P-MODE button on Boombox or press P-MODE key on the remote control until "↶" disappears from the display.

To repeat all the Tracks

1. Press PROG./P-MODE button on Boombox or press P-MODE key on the remote control until the "↶ ALL" shows steadily on the display, all tracks on the disc will be played over and over again till you press the STOP button on Boombox or on the remote control.
2. To cancel repeat play, press the PROG./P-MODE button on Boombox or press P-MODE key on the remote control until "↶ ALL" disappears from the display.

To repeat the folder (only for MP3 disc which contains more than one folder)

1. Press the PROG./P-MODE button on Boombox or press P-MODE key on the remote control until "↶ DIR" show steadily on the display, the current folder will be repeated over and over again till you press the STOP button on Boombox or on the remote control.

2. To cancel repeat play, press the PROG./P-MODE button on Boombox or press P-MODE key on the remote control until "◀ DIR " disappear from the display.

RANDOM PLAY

Press the PROG./P-MODE button on Boombox or P-MODE key on the remote control in play mode till "RAN" shows steadily on the display, the random play will start from the next track automatically, until all tracks are played and then it will stop. Press the PROG./P-MODE button on Boombox or P-MODE key on the remote control again until the "RAN" disappears from the display to cancel.

INTRO PLAY

Press the PROG. /P-MODE button on Boombox or press P-MODE key on the remote control in play mode till the "INTRO" shows steadily on the display, the intro play will play
To cancel intro play, press the PROG./P-MODE button on Boombox or press P-MODE key on the remote control until "INTRO " disappear from the display.

LISTENING TO USB/SD CARD

USB OPERATION

1. Press the FUNCTION button on Boombox or on the remote control to select "USB" mode.
2. Connect the USB to the USB INPUT. The LCD will show the total number of tracks stored in the USB. The playback starts from track 1 automatically after reading the USB.
3. To pause playback, press ▶|| / PAIR button on Boombox or ▶|| key on the remote control. The current playing time will . To resume playback, press ▶|| / PAIR button on Boombox or ▶|| key on the remote control again.

4. Press the STOP button on Boombox or on the remote control to stop playing. The display will show total number of tracks and stop.
5. Proceed program play/repeat play (repeat 1- repeat folder - repeat all) /random play/intro play operation as the same described in above “CD/MP3 OPERATION”.
6. It supports up to 32GB (USB)

CAUTION:

Do not use any USB extension cable for connecting the USB stick which may cause harmful interference

SD CARD OPERATION

1. Press the FUNC. button on Boombox or on the remote control to select “CARD” mode.
2. Connect the SD CARD to the SD INPUT. The LCD will show the total number of tracks stored in the SD CARD. The playback starts from track 1 automatically after reading.
3. To pause playback, press ►|| / PAIR button on Boombox or ►|| key on the remote control. The current playing time . To resume playback, press ►|| / PAIR button on Boombox or ►|| key on the remote control again.
4. Press the STOP button on Boombox or on the remote control to stop playing. The display will show total number of USB and STOP.
5. Proceed program play/repeat play (repeat 1- repeat folder - repeat all) /random play/intro play operation as the same described in above “CD/MP3 OPERATION”.
6. It supports up to 32GB (SD CARD)

BLUETOOTH OPERATION

1. Press the FUNC. button on Boombox or on the remote control to switch to BLUETOOTH function, the LCD will

high speed.
2. Turn on the Bluetooth function on the device, scan for the Boombox “MM339” and connect, then input the password 0000 if required, the Pair/Standby blue light will light up to indicate connection done, and the display will show “bt”. Press ► / PAIR button on the Boombox or play key on the device to start playback. If the Boombox can't connect to the Bluetooth device within 2 minutes, press the ► / PAIR button on Boombox or PAIR key on the remote control to reconnect.
3. Turn the VOLUME dial to your desired level.
4. Press Fast Forward / +10 button or Fast Backwards / -10 on the Boombox or TUN+ / Fast Forwards or TUN- / Fast Backwards key on the remote control to choose the desired track.
5. To stop playback, press ► / PAIR button on Boombox or ► key on the remote control.

Note: The Bluetooth works best within 10 meters.

AUX-IN OPERATION

1. Press the FUNCTION button on Boombox or on the remote control to select “AUX” mode.
2. Insert the AUX line plug into the AUX IN jack (Φ3.5mm) on the player

played from the speakers.
3. Adjust the volume on the Boombox or on the device to your desired level.
4. Press ► and select next/previous track on the device.

COMPACT DISC MAINTENANCE

1. Always use a compact disc bearing the mark as shown.



2. Notes on handling discs

- Take care when removing the disc from its storage case and loading it.
-
- Do not stick paper or write anything on the surface.
- Do not bend the disc.

3. Storage

- Store the disc in its case.
- Do not expose discs to direct sunlight or high temperatures, high humidity or dusty places.

4. Cleaning a disc

-
- The disc should be cleaned from the centre to the edge.



CORRECT



INCORRECT



FROM THE CENTRE TO THE EDGE

-
- anti-static spray.
- Be sure to close the CD door, so the lens is not contaminated by dust.
- Do not touch the lens.

Product Specifications

Power Requirement	AC 100-240V ~60/50Hz DC 12V UM-1/D x 8pcs
Power Consumption	48 Watts
Standby Consumption	<0.5 Watts
Dimensions	49.2(W) x 19.8(H) x 21(D)cm
Operation Temperature	5°C - 35°C
Bluetooth Version	3.0
Receiving Bands	FM
Frequency Range	FM 87.5 - 108MHz
Optical Pickup	3 - Beam Laser
Frequency Response	100Hz - 16 KHz
Power Output	12.5W x 2
Accessories	Instruction Manual AC Cord Remote Control

NOTE:

Specifications are subject to change for continuous improvement, we reserve the rights to modification without prior notice.

Disposal Information

IMPORTANT INFORMATION FOR CORRECT DISPOSAL OF THE APPLIANCE IN ACCORDANCE WITH EC DIRECTIVE 2002/96/EC

At the end of its working life, the appliance must NOT be disposed of as urban waste. It must be taken to a special local authority differentiated waste collection centre or to a dealer providing this service.

Disposing of a household appliance separately avoids possible negative consequences for the environment and health deriving from inappropriate disposal and enables the constituent materials to be recovered to obtain significant savings in energy and resources. As a reminder of the need to dispose of household appliances separately, the product is marked with a crossed-out wheeled dustbin.





AUDIAL

**Wellington Grove,
Stockport, SK2 6RH**