

VPH14 07042017



Cordless Rechargeable Hand Held Vacuum Cleaner

Instruction Manual

Model Ref: VPH14

Thank you for choosing the ValetPro by Giani Cordless Rechargeable Hand Held Vacuum Cleaner. All products brought to you by Giani are manufactured to the highest standards of performance and safety.

Before use, please read this manual carefully. It gives important instructions about safety, use and maintenance of your appliance.

Remove all packaging material. You may wish to keep the packaging for future use or storage of your appliance. Alternatively, dispose of accordingly.

Index

Important Safety Information.....	02
Warning.....	03
Product Overview.....	04
Technical Information.....	04
Before First Use.....	05
Assembling Your Vacuum Cleaner.....	05
Using The Accessories.....	07
Emptying The Dust Tank.....	07
Cleaning The Filters.....	08
After Sales Support.....	10
Product Guarantee.....	10

Important Safety Information

WARNING - To reduce the risk of fire, electric shock, or injury:

- **DO NOT** run the appliance over the charger cable.
- **DO NOT** operate the system if the appliance or any other part of the system has been dropped or damaged.
- **DO NOT** disassemble or attempt to repair the vacuum cleaner.
- **DO NOT** pick up any flammable or combustible liquids or use in areas where they may be present.
- **DO NOT** pick up anything that is burning or smoking such as cigarettes, matches or hot ashes.
- **DO NOT** use the vacuum without the dust cup filter in place.
- **DO NOT** allow the appliance to be used as a toy. Close attention is necessary when used near children, pets or plants.
- **DO NOT** unplug the charger by pulling on cord.
- **DO NOT** handle the charger or vacuum with wet hands.
- **DO NOT** put any objects into openings.
- **DO NOT** use with any opening blocked.
- **DO NOT** use with mains extensions, external timer or remote control systems
- Keep free of dust, lint, hair and anything else that may reduce air flow.
- Keep hair, loose clothing, fingers and all parts of the body away from opening and moving parts.

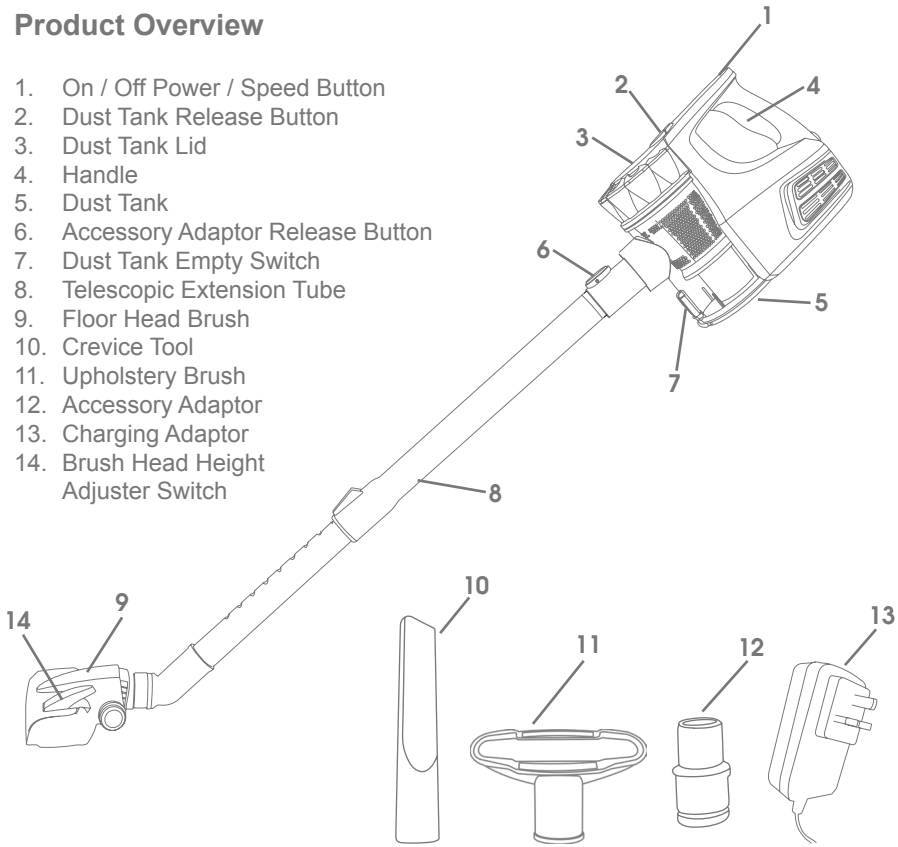
- Use extra care when cleaning on stairs.
- Only use the appliance for its intended use.
- Keep the charging cable away from any heated surfaces
- Store your appliance indoors, in a cool, dry area.
- Keep your work area well lit.
- Keep the end of the stick, and the attachments away from your face and body.
- Use only on dry surfaces.
- Using improper voltage may result in damage to the motor and possible injury to the user. Correct voltage is listed on the rating label.
- Keep the appliance and its charger out of reach of children.
- To protect against a risk of electric shock, do not immerse any part of the appliance in water or other liquids.
- This appliance is intended only for household use. Follow all user instructions in this manual.
- Use only as described in this manual. Only use the manufacturer's recommended accessories.

WARNING:

- **DO NOT** operate the vacuum cleaner too close to heaters or radiators.
- Before inserting the charger plug into the wall outlet, make sure that your hands are dry.
- Before you start vacuuming, make sure to remove large or sharp objects that might damage the dust cup filter.

Product Overview

1. On / Off Power / Speed Button
2. Dust Tank Release Button
3. Dust Tank Lid
4. Handle
5. Dust Tank
6. Accessory Adaptor Release Button
7. Dust Tank Empty Switch
8. Telescopic Extension Tube
9. Floor Head Brush
10. Crevice Tool
11. Upholstery Brush
12. Accessory Adaptor
13. Charging Adaptor
14. Brush Head Height Adjuster Switch



Technical Information

Voltage	22.2V
Battery Capacity	2000mA
Rated Power	90W
Suction Power	25W
Vacuum	8Kpa
Air Flow	0.8m ³ /Min
Dust Tank Capacity	0.8L
Noise	75dB

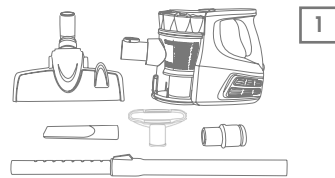
Before First Use

Before using your vacuum cleaner for the first time, wipe all parts with a soft damp cloth

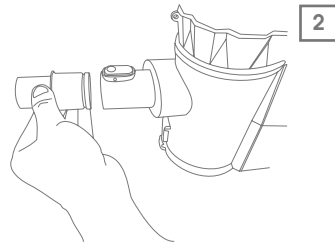
Assembling Your Vacuum Cleaner

DO NOT PLUG CHARGER INTO THE MAINS ELECTRICITY SUPPLY UNTIL FULLY ASSEMBLED

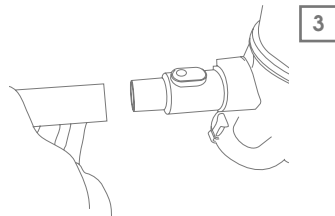
Your vacuum cleaner is disassembled when unpacked (Fig 1)



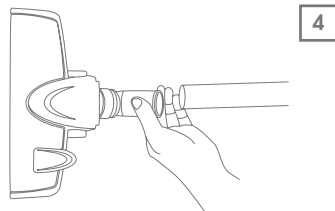
1. Connect the accessory adapter (12) into the air inlet (Fig 2)



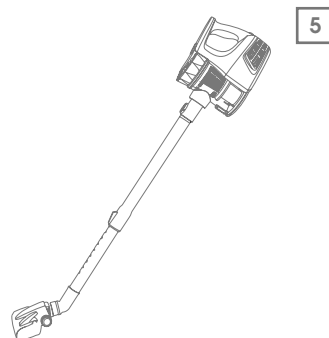
2. Connect the telescopic extension tube to the accessory adaptor (Fig 3)



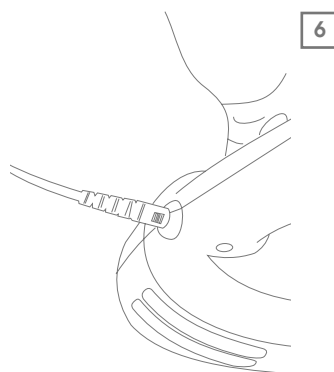
3. Connect the floor head brush to the other end of the telescopic extension tube. (Fig 4)



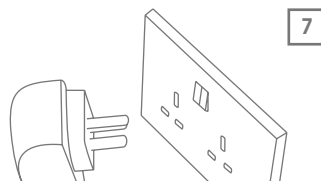
4. Your vacuum is now fully assembled (Fig 5).



5. Insert the DC end of the charger into the charging socket on the main unit body (Fig 6).

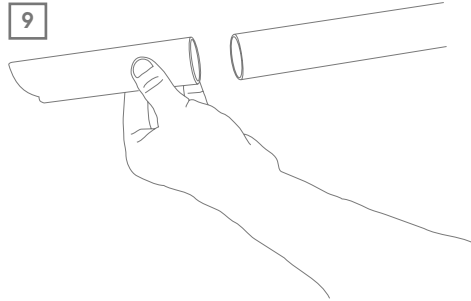
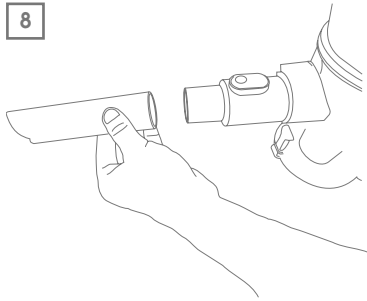


6. Plug the charger into a plug socket and switch on the mains supply (Fig 7). The red indicator light on the main unit will flash when the unit is being charged. After charging for 3 hours, the indicator light will be solid green and on all the time, and this means the device is fully charged.



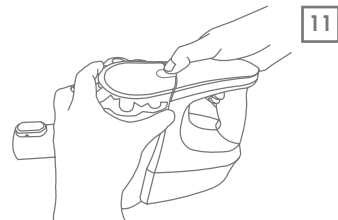
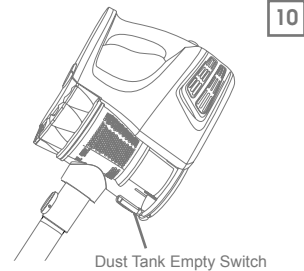
Using The Accessories

The crevice tool and upholstery brush can be connected directly to the accessory adaptor (Fig 8) or to the telescopic extension tube. (Fig 9) ALWAYS ensure when changing accessories the appliance is switched off



Emptying The Dust Tank

1. Hold the vacuum cleaner over the dustbin, press the dust tank empty switch. (Fig 10) The bottom of the dust tank will open, emptying the contents into the dustbin. Gently shake the vacuum to remove any remaining dust.
2. To close the dust tank, push the empty hatch up until it clicks and locks back into position.
3. Alternatively, you can remove the dust tank from the main vacuum cleaner body by holding both the main body and the dust tank and pressing the dust tank release button. (Fig 11)
4. The dust tank can easily be carried to the dustbin to be emptied.



5. Refit the dust tank to the main body by lining up the hook on the main body with the slot on the dust tank, slide the dust tank down, line up the locking catch on the dust tank lid with the slot at the top of the main body and push together until it clicks and locks back into position.

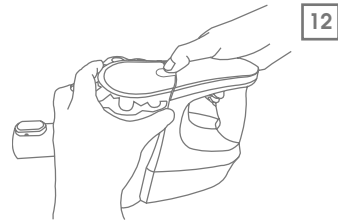
Cleaning The Filters

To maintain the performance of the vacuum cleaner, ensure the filters are regularly cleaned.

Never use the vacuum cleaner without the filters in place.

Always unplug the appliance from the mains supply before performing any cleaning or user maintenance.

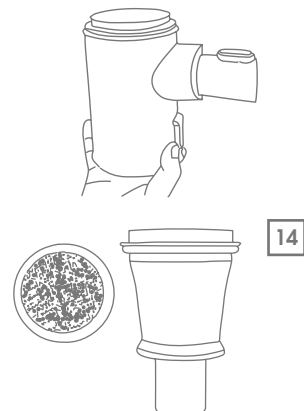
1. Remove the dust tank from the main body of the vacuum cleaner. (Fig 12)



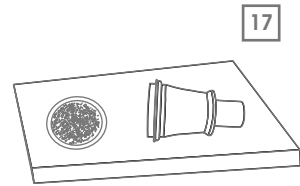
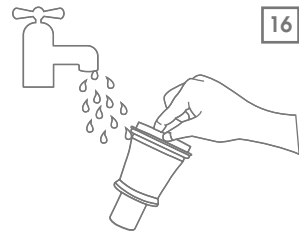
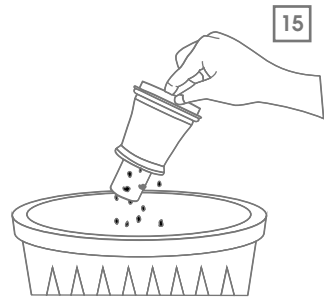
2. Remove the dust tank lid by twisting it anticlockwise and lifting it off. (Fig 13)



3. Lift out the HEPA filter and dust tank central filter. (Fig 14)



4. Remove dust, dirt and debris from the filters. This should be performed on a regular basis. (Fig 15)
5. All filters can be cleaned under a running tap with warm water. (Fig 16)
6. Once clean allow to dry for 24 hours before replacing in the vacuum cleaner. (Fig 17)
6. Do not use external heat sources to dry the filters as they will become damaged.
7. Never use the vacuum cleaner with wet filters.
8. To re-fit the filters reverse the procedure performed when removing the filters.



After Sales Support

If you need help using your Vacuum Cleaner, please contact Giani Ltd:-

- Telephone: 0161 480 6204
- Email: info@gianiuk.co.uk
- Website: www.gianiuk.co.uk
(Replacement instruction manuals are available to download).

Product Guarantee (UK Only)

If your appliance ceases to function within 1 year from the date of purchase, the retailer will replace it free of charge, provided:

- You have not misused, neglected or damaged it
- It has not been modified (except by Giani Ltd)
- It was not purchased second hand
- It has not been used commercially
- You have not fitted a plug incorrectly
- You can supply proof of purchase, indicating the price you paid and where and when the appliance was purchased.

This guarantee does not affect your statutory rights.



IMPORTANT INFORMATION FOR CORRECT DISPOSAL OF THE APPLIANCE IN ACCORDANCE WITH EC DIRECTIVE 2002/96/EC

At the end of its working life, the appliance must NOT be disposed of as urban waste. It must be taken to a special local authority differentiated waste collection centre or to a dealer providing this service.

Disposing of a household appliance separately avoids possible negative consequences for the environment and health deriving from inappropriate disposal and enables the constituent materials to be recovered to obtain significant savings in energy and resources. As a reminder of the need to dispose of household appliances separately, the product is marked with a crossed-out wheeled dustbin.

**Are you having problems with your cleaner?
Do you require a replacement filter?
Do you require spare parts?**

Before returning this item to your place of purchase
Please contact Giani at:

Email - **info@gianiuk.co.uk**

Website - **www.gianiuk.co.uk**



Giani Limited - SK2 6RH
info@gianiuk.co.uk